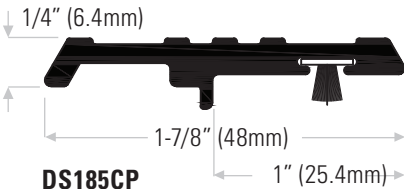


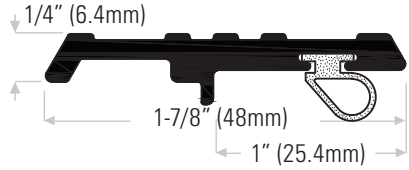
ASTRAGALS

Flat & T-Bar

Lengths available for DS180, DS182 and DS185: 84" (2134mm), 96" (2438mm) & 180" (4572mm)



DS185CP
Extruded aluminum clear anodized with pile insert
DS185DP
Bronze anodized



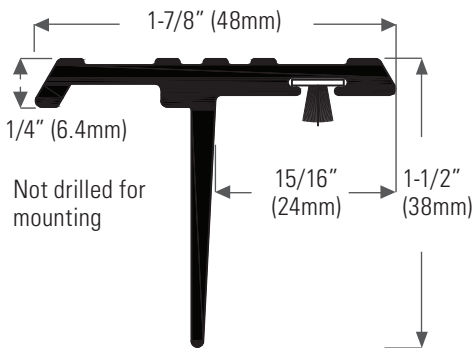
DS185CT
Extruded aluminum clear anodized with TPE (T) insert
DS185DT
Bronze anodized



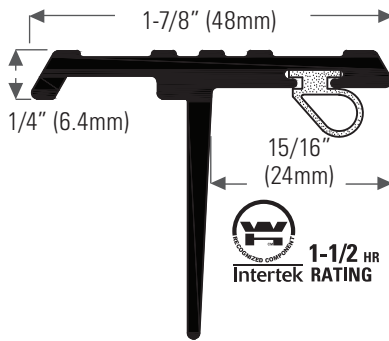
DS7520-270G
Replacement Pile insert,
grey for DS180 & DS185



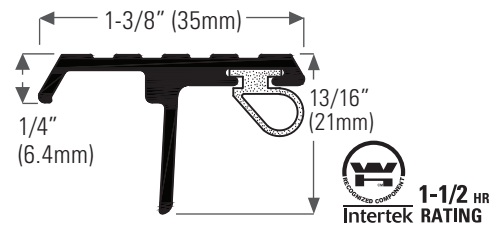
DST17BL Replacement
TPE insert, black for
DS180 & DS185



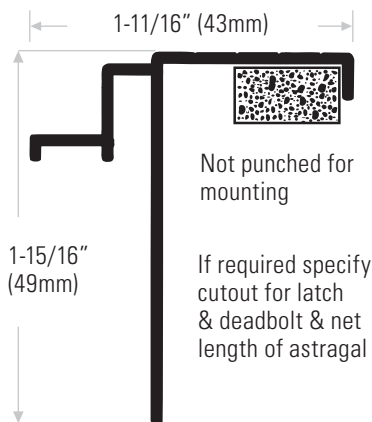
DS180CP Extruded aluminum clear anodized with pile insert



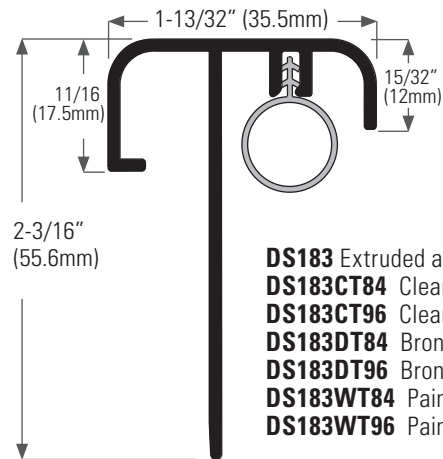
DS180CT Extruded aluminum clear anodized with TPE (T) insert



DS182 Extruded aluminum clear anodized with TPE (T) insert
DS182CT84 Clear anodized 84" (2134mm)
DS182CT96 Clear anodized 96" (2438mm)
DS182CT180 Clear anodized 180" (4572mm)
DS182DT84 Bronze anodized 84" (2134mm)
DS182DT96 Bronze anodized 96" (2438mm)
DS182DT180 Bronze anodized 180" (4572mm)



DS181D Bronze anodized with neoprene gasket. Lengths available: 84" (2134mm) & 96" (2438mm)
DS181C Clear anodized
DS181W Painted white



DS183 Extruded aluminum with TPE (T) insert
DS183CT84 Clear anodized 84" (2134mm)
DS183CT96 Clear anodized 96" (2438mm)
DS183DT84 Bronze anodized 84" (2134mm)
DS183DT96 Bronze anodized 96" (2438mm)
DS183WT84 Painted white 84" (2134mm)
DS183WT96 Painted white 96" (2438mm)

