



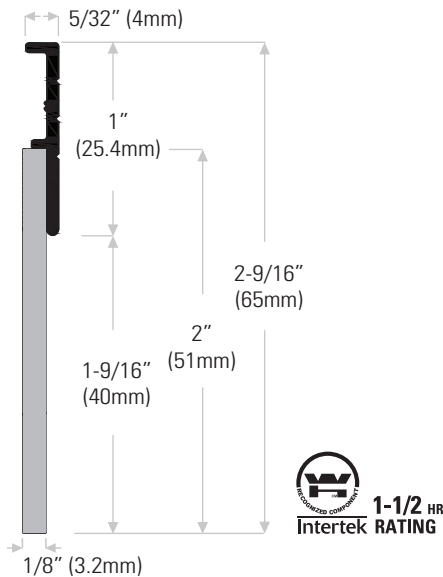
www.theDSgroup.com

Tomorrow's Innovative Solutions for Today's Doors & Windows

The DS Group Of Companies: Draftseal®, Kristrack®, Eclipse Architectural® & DSD Hardware

DraftSeal®

Door Bottom Sweep



DS136CN-2 Extruded aluminum clear anodized with rubber insert, black, 1/8" x 2" (3.2mm x 51mm)

DS136DN-2 Bronze anodized

This door bottom sweep is supplied with punched holes and screws and are only available in the following NET lengths: 36" (914mm), 48" (1219mm), 84" (2134mm) & 96" (2438mm)

Head Office & Manufacturing Centre - Vancouver, Canada

7470 Buller Avenue, Burnaby, B.C. V5J 4S5 Canada » www.theDSgroup.com » info@theDSgroup.com » Ph: (604) 451-1080
Outside Vancouver, BC use toll free numbers Ph: 1-888-520-9009 Fax: 1-800-567-2887

Branch Offices & Manufacturing Centres:

Toronto, Canada & Los Angeles, USA » THE DS GROUP IS THE BRAND IMAGE OF A.K. DRAFT SEAL LTD.

© COPYRIGHT A.K. DRAFT SEAL LTD | This drawing remains the property of A.K. Draft Seal and all its affiliates. The information contained in this drawing is not to be disclosed to any party without written approval from A.K. Draft Seal.