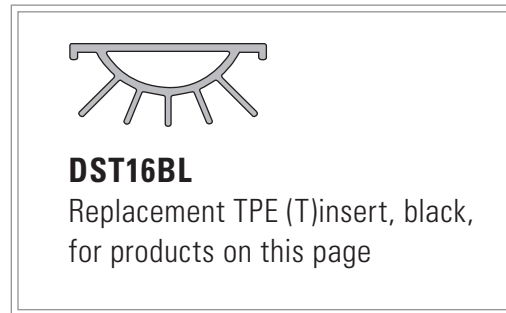
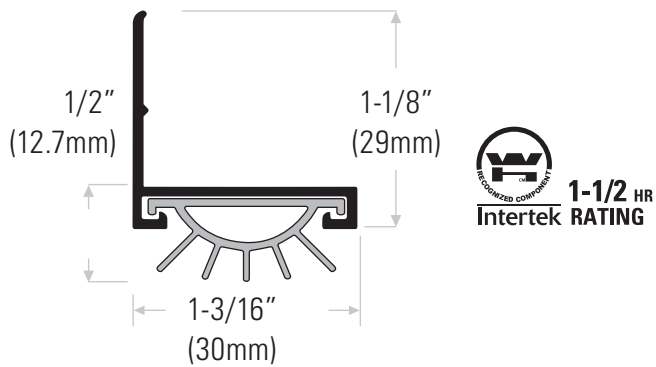


## Aluminum Door Shoe



**DS211AT** Extruded aluminum mill finish with TPE (T) insert

**DS211DT** Bronze anodized

Door shoe is supplied with punched holes and screws and is available in the following NET lengths: 36" (914mm) & 48" (1219mm). Custom lengths available, call for manufacturing time.