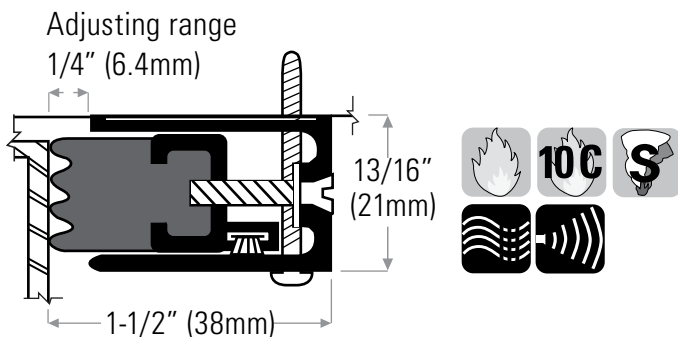


Adjustable-Jamb Sound Seal



DS340CN Extruded aluminum clear anodized with neoprene insert, black

DS340DN Bronze anodized. Custom order, call for manufacturing time.

Weatherseal is supplied with punched holes and screws and are available in the following NET lengths / sets: 1/36" x 2/84" set (914 x 2134mm) & 1/72" x 2/84" set (1829 x 2134mm). Custom lengths available, call for manufacturing time.