



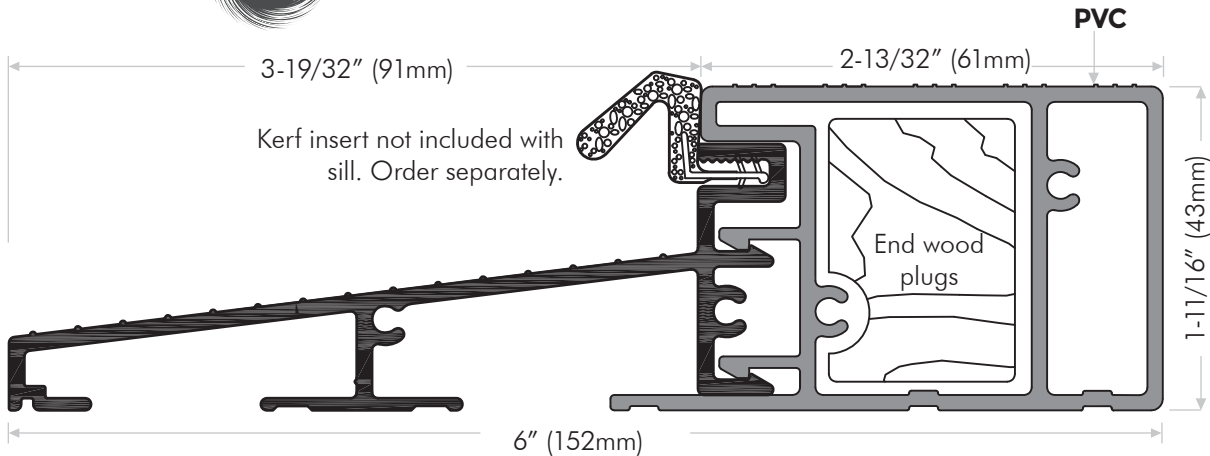
www.theDSgroup.com

Tomorrow's Innovative Solutions for Today's Doors & Windows

The DS Group Of Companies: Draftseal®, Kristrack®, Eclipse Architectural® & DSD Hardware

## DraftSeal® Residential Product: Outswing Sill, Millenium Series

DS2558V



- DS2558AVT150** Extruded aluminum sill mill finish with vinyl interior threshold (tan) for 2 x 4 wall. 150" (3810mm) lengths only (with full wood insert)
- DS2558AVT150NW** Extruded aluminum sill mill finish with vinyl interior threshold (tan) for 2 x 4 wall. 150" (3810mm) lengths only (no wood insert) (nw)
- DS2558DVT150** Extruded aluminum sill, bronze anodized
- DS2558DVT150NW** Extruded aluminum sill, bronze anodized (no wood insert) (nw)

### Head Office & Manufacturing Centre - Vancouver, Canada

7470 Buller Avenue, Burnaby, B.C. V5J 4S5 Canada

Ph: (604) 451-1080 • Fax: (604) 451-1140 • info@theDSgroup.com • Outside Vancouver, BC use toll free numbers Ph: 1-888-520-9009 Fax: 1-800-567-2887

### Branch Offices & Manufacturing Centres | Eclipse Architectural® Corporate Showrooms

Toronto, Canada & Los Angeles, USA

Vancouver & Toronto, Canada • Los Angeles, California & Honolulu, Hawaii USA

THE DS GROUP IS THE BRAND IMAGE OF A.K. DRAFT SEAL LTD.

© COPYRIGHT 2013 • DS GROUP® & DRAFTSEAL®