



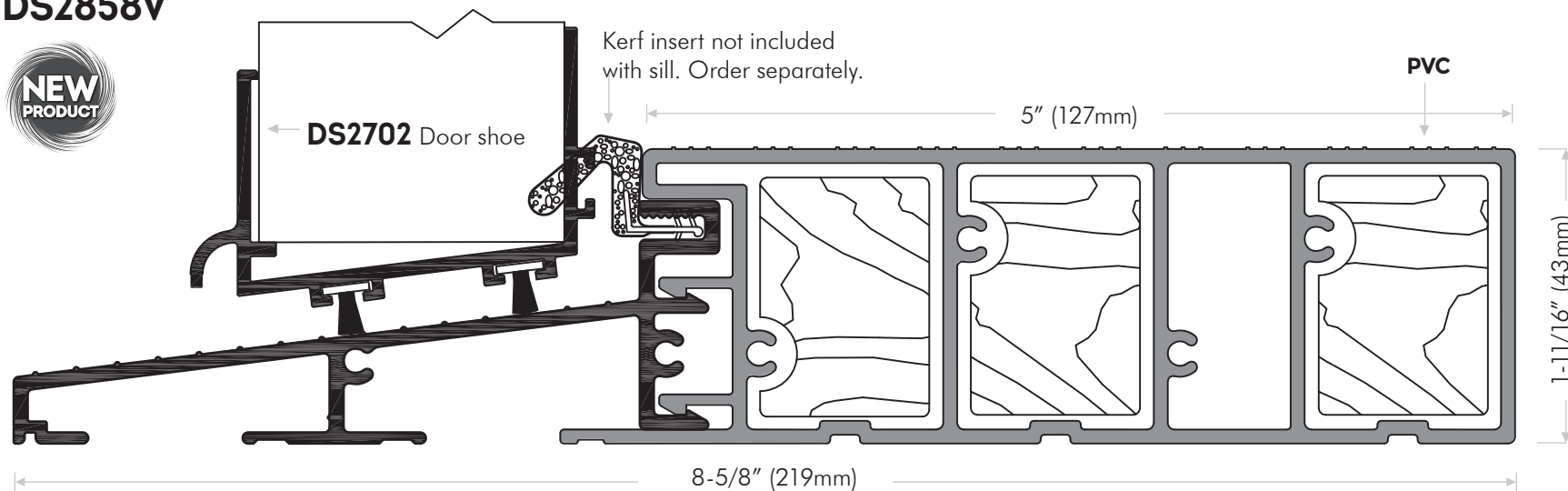
www.theDSgroup.com

Tomorrow's Innovative Solutions for Today's Doors & Windows

The DS Group Of Companies: Draftseal®, Kristrack®, Eclipse Architectural® & DSD Hardware

DraftSeal® Residential Product: Outswing Sill, Millenium Series

DS2858V



DS2858AVT150

Extruded aluminum sill mill finish with vinyl interior threshold, tan for 7-1/4" (184mm) jamb. 150" (3810mm) lengths only (with 3 full wood inserts)

DS2858AVT150NW

Extruded aluminum sill mill finish with vinyl interior threshold, tan for 7-1/4" (184mm) jamb. 150" (3810mm) lengths only (no wood inserts) (nw)

DS2858DVT150

Extruded aluminum sill, bronze anodized

DS2858DVT150NW

Extruded aluminum sill, bronze anodized (no wood inserts) (nw)

Head Office & Manufacturing Centre - Vancouver, Canada

7470 Buller Avenue, Burnaby, B.C. V5J 4S5 Canada

Ph: (604) 451-1080 • Fax: (604) 451-1140 • info@theDSgroup.com • Outside Vancouver, BC use toll free numbers Ph: 1-888-520-9009 Fax: 1-800-567-2887

Branch Offices & Manufacturing Centres

Toronto, Canada & Los Angeles, USA

Eclipse Architectural® Corporate Showrooms

Vancouver & Toronto, Canada • Los Angeles, California & Honolulu, Hawaii USA

THE DS GROUP IS THE BRAND IMAGE OF A.K. DRAFT SEAL LTD.

© COPYRIGHT 2013 • DS GROUP® & DRAFTSEAL®