



www.theDSgroup.com

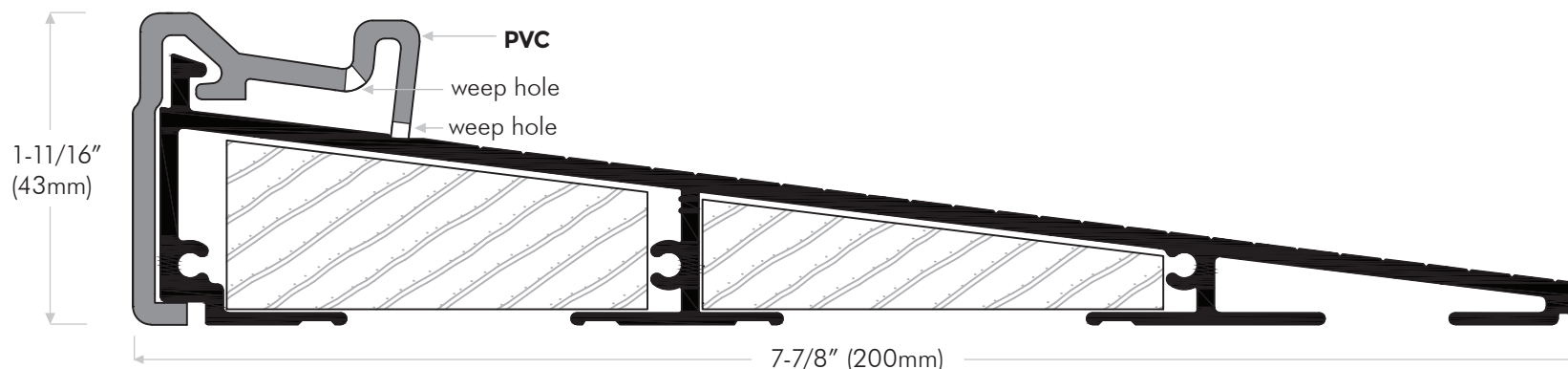
Tomorrow's Innovative Solutions for Today's Doors & Windows

The DS Group Of Companies: Draftseal®, Kristrack®, Eclipse Architectural® & DSD Hardware

DraftSeal®

Residential Product: Extension for Inswing Sill Pre-Hung Door Application

DS2778V 



DS2778AV Extruded aluminum sill mill finish with fixed vinyl top, tan (with full wood inserts)

DS2778DV Bronze anodized sill with fixed vinyl top, tan (with full wood inserts)

DS2778AVNW Extruded aluminum sill mill finish with fixed vinyl top, tan (no wood inserts)

DS2778DVNW Bronze anodized sill with fixed vinyl top, tan (no wood inserts)

Head Office & Manufacturing Centre - Vancouver, Canada

7470 Buller Avenue, Burnaby, B.C. V5J 4S5 Canada

Ph: (604) 451-1080 • Fax: (604) 451-1140 • info@theDSgroup.com • Outside Vancouver, BC use toll free numbers Ph: 1-888-520-9009 Fax: 1-800-567-2887

Branch Offices & Manufacturing Centres Toronto, Canada & Los Angeles, USA • THE DS GROUP IS THE BRAND IMAGE OF A.K. DRAFT SEAL LTD.

© COPYRIGHT A.K. DRAFT SEAL LTD • This drawing remains the property of A.K. Draft Seal and all its affiliates. The information contained in this drawing is not to be disclosed to any party without written approval from A.K. Draft Seal.