



www.theDSgroup.com

Tomorrow's Innovative Solutions for Today's Doors & Windows

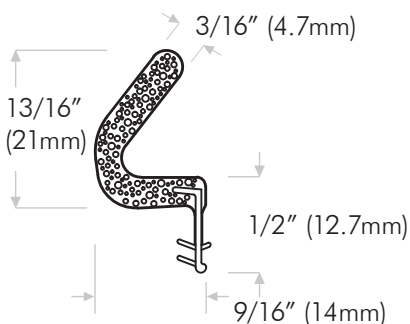
The DS Group Of Companies: Draftseal®, Kristrack®, Eclipse Architectural® & DSD Hardware

DraftSeal®

Residential Product: Extended Reach Kerf-Inserted "Foamwrap" Jamb Weatherseal

DS430

Recommended for header & latch side only. **NOTE:** Use **DS434** for hinge side



- Increased tear resistant jacketing
- Low closing force
- Easy pull-out & reinstallation
- UV resistant jacketing
- Minimal compression set
- Ramp-up foot design
- Moisture resistant foam
- Virtually self guiding
- Easy hand installation

DS430B36 Brown 36" (914mm)

DS430B81 Brown 81" (2057mm)

DS430B96 Brown 96" (2438mm)

DS430W36 White 36" (914mm)

DS430W81 White 81" (2057mm)

DS430W96 White 96" (2438mm)

Head Office & Manufacturing Centre - Vancouver, Canada

7470 Buller Avenue, Burnaby, B.C. V5J 4S5 Canada

Ph: (604) 451-1080 • Fax: (604) 451-1140 • info@theDSgroup.com • Outside Vancouver, BC use toll free numbers Ph: 1-888-520-9009 Fax: 1-800-567-2887

Branch Offices & Manufacturing Centres Toronto, Canada & Los Angeles, USA • THE DS GROUP IS THE BRAND IMAGE OF A.K. DRAFT SEAL LTD.

© COPYRIGHT A.K. DRAFT SEAL LTD • This drawing remains the property of A.K. Draft Seal and all its affiliates. The information contained in this drawing is not to be disclosed to any party without written approval from A.K. Draft Seal.