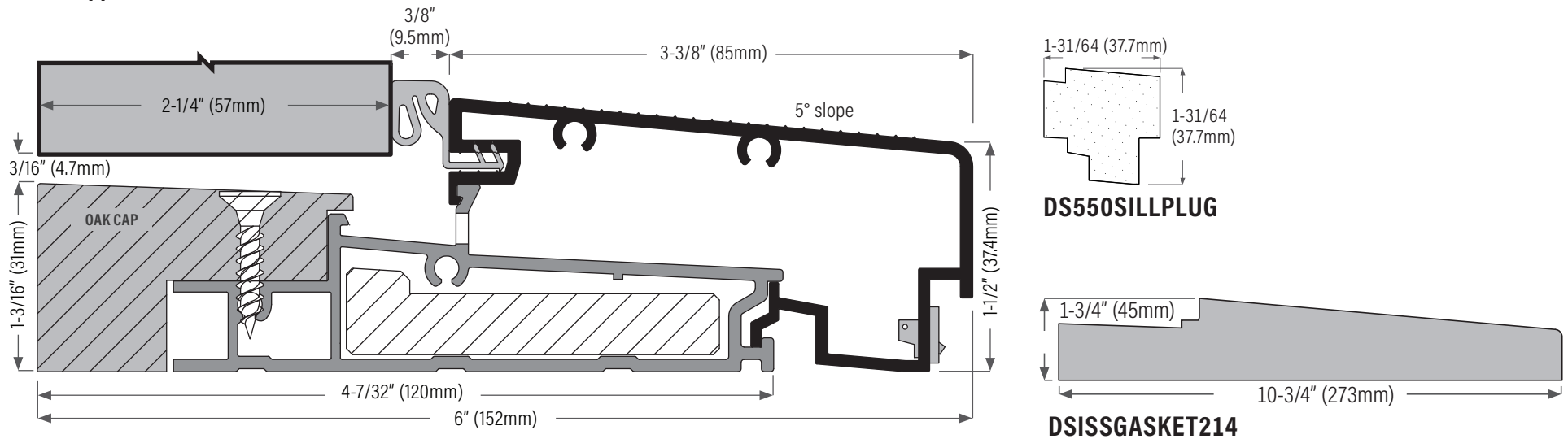


DS1 Storm (Gen 2) - Inswing Sill System, Pre-hung Door Application

DS552 Application is used for 2-1/4" (57mm) door thickness



DS552A20AK Mill finish with oak cap for 2-1/4" (57mm) door thickness

DS552D20AK Bronze anodized with oak cap for 2-1/4" (57mm) door thickness