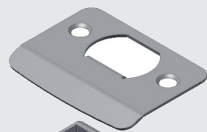
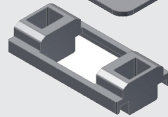
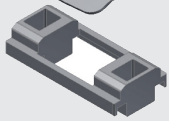


Aluminum Astragals

PARTS IN THE BOX

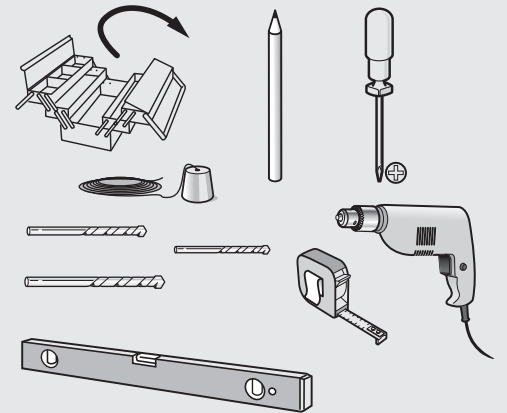


Nylon strike spacers (2 ea) with 1 latch strike & 1 deadbolt strike, top and bottom strikes with screws



Plus screws

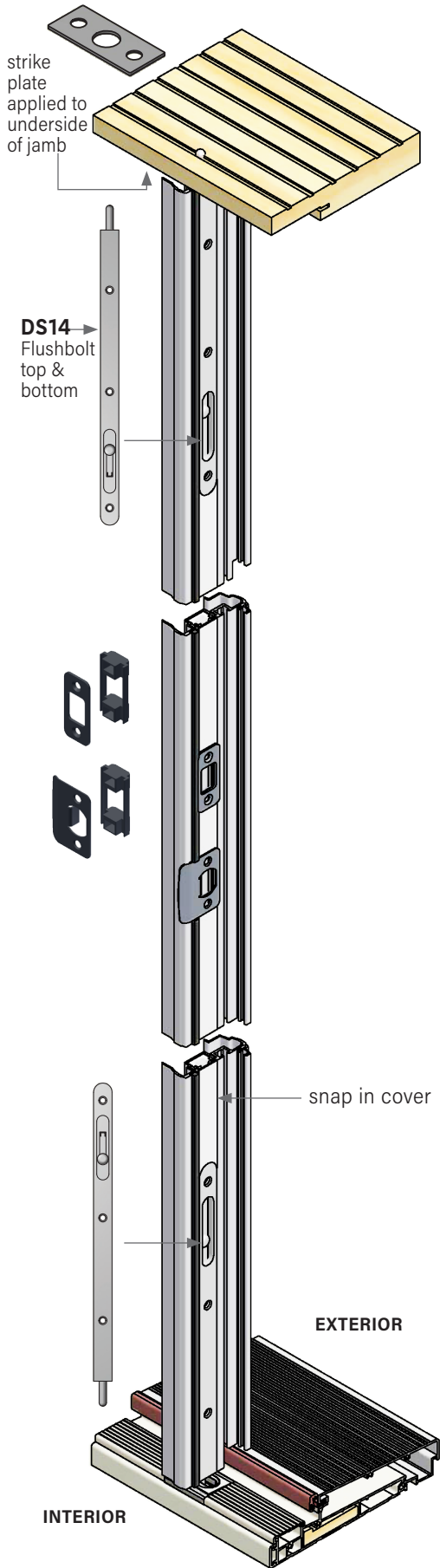
RECOMMENDED TOOLS



- 1** The top outside of the astragal has to be notched to clear top jamb stop. Place Astragal / T-Bolt into position on the door stile and attach using the # 8 x 3/4" wood screws through the mounting holes.
- 2** Place the door in the closed position and extend the top and bottom slide bolts until they make contact with the frame header and threshold. Mark the frame header and threshold where the bolt makes contact and open door. Drill one 3/8" hole in the header of the frame and one 3/8" hole in the threshold to receive the bolts. Place the bolt strike plate over the drilled hole in the frame header and attach with #6 x 1" screws.
- 3** Close the inactive leaf with the Astragal / T-Bolt installed. Now extend both bolts into the header and threshold to ensure proper alignment and function.
- 4** Measure the distance from either top or bottom of the active leaf to the center line of the active door lockset bolt. Mark the position of the Astragal / T-Bolt as the center point for the strike location. Position the 2 ea. spacers above and below the center point you previously marked. Using the supplied latch strike plate and 2 ea. # 8 x 1/4" screws, attach the strike plate to the Astragal / T-Bolt assembly. Close the active leaf and ensure that the latch bolt works smoothly.
- 5** Perform instructions in item number 3 and number 4 to install optional dead bolt kit.

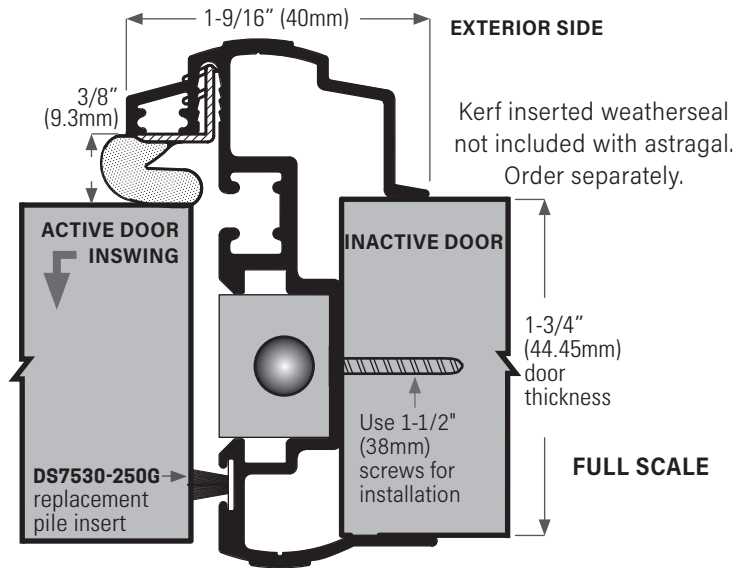
INSTALLATION IS NOW COMPLETE

Astragals - Aluminum for Inswing DS1 Storm Sills



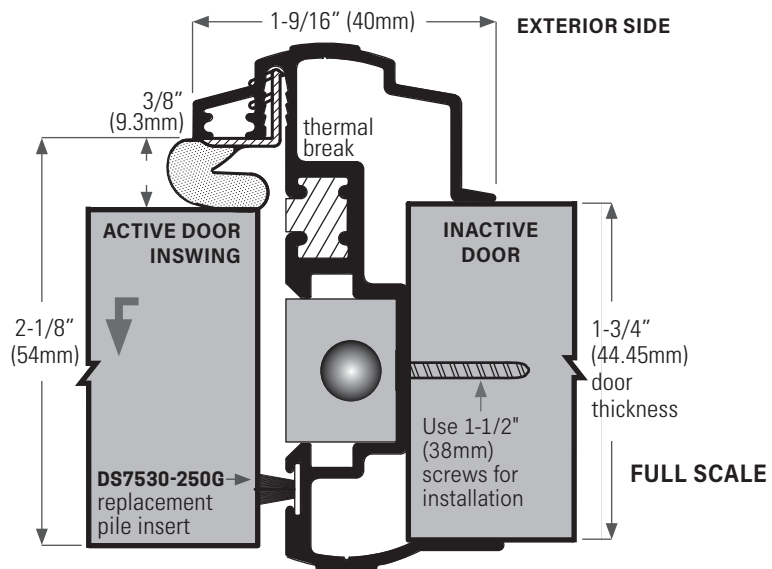
Each extruded aluminum astragal comes complete with pile inner seal, snap in covers, dead bolt strike, latch strike & standard punch outs for deadbolt. **Kerf weatherseal, top and bottom flushbolts not included with astragal, order separately.**

DS446N Series (Non Thermally Broken)



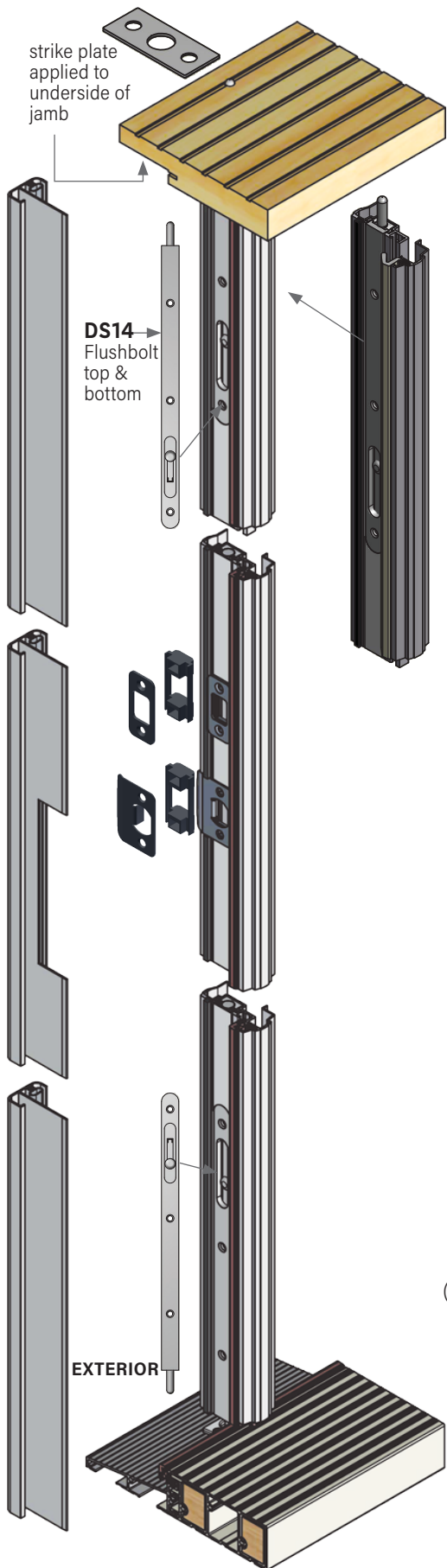
Bronze anodized	Clear anodized	White painted
DS446D79N	DS446C79N	DS446W79N
DS446D80N	DS446C80N	DS446W80N
DS446D84N	DS446C84N	DS446W84N
DS446D95N	DS446C95N	DS446W95N
DS446D96N	DS446C96N	DS446W96N

DS448N Series (Thermally Broken)



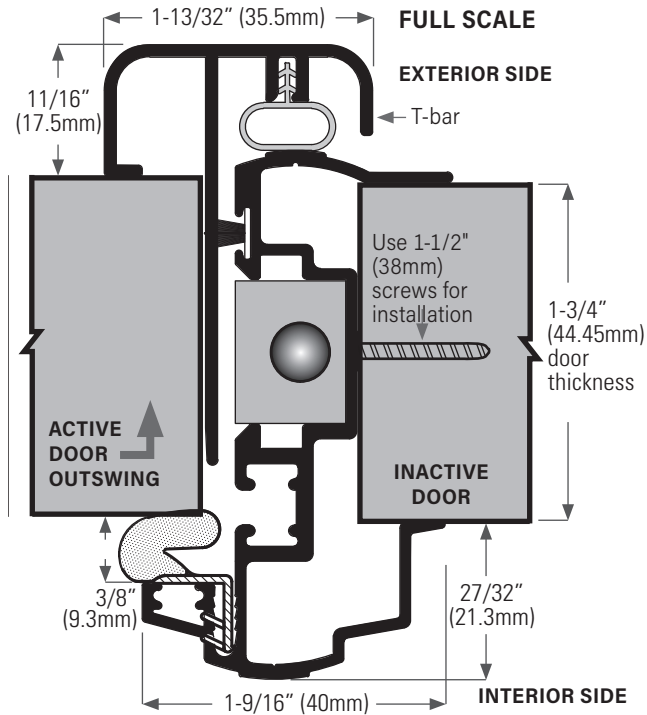
Bronze anodized	Clear anodized	White painted
DS448DTB79N	DS448CTB79N	DS448WTB79N
DS448DTB80N	DS448CTB80N	DS448WTB80N
DS448DTB84N	DS448CTB84N	DS448WTB84N
DS448DTB95N	DS448CTB95N	DS448WTB95N
DS448DTB96N	DS448CTB96N	DS448WTB96N

Astragals - Aluminum for Outswing DS1 Storm Sills



Each T-Bar astragal comes with bulb weatherseal & punchouts for latch & deadbolt. Each extruded aluminum astragal comes complete with pile inner seal, snap in covers, dead bolt strike, latch strike & standard punch outs for deadbolt. **Kerf weatherseal, top and bottom flushbolts not included with astragal, order separately.**

DS445N Series (Non Thermally Broken)

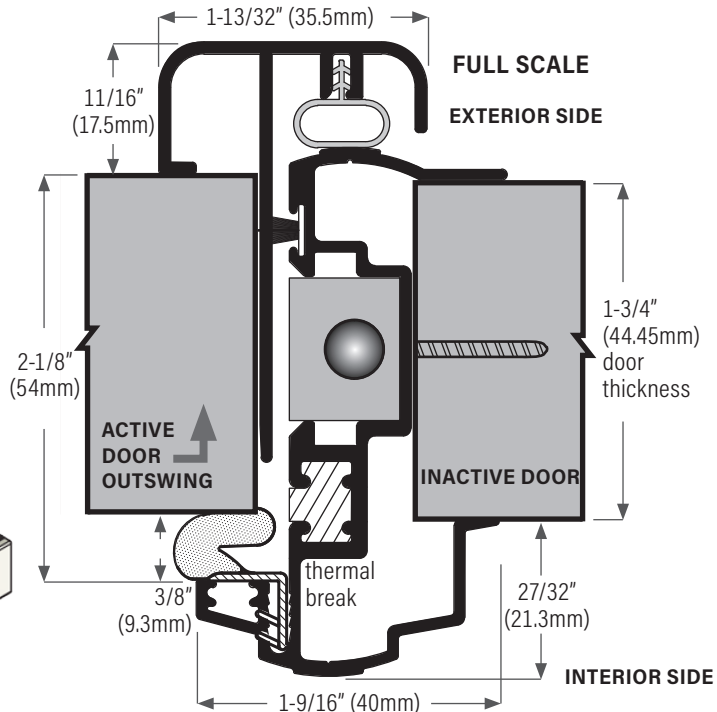


Bronze anodized
DS445D79N
DS445D80N
DS445D84N
DS445D95N
DS445D96N

Clear anodized
DS445C79N
DS445C80N
DS445C84N
DS445C95N
DS445C96N

White painted
DS445W79N
DS445W80N
DS445W84N
DS445W95N
DS445W96N

DS447N Series (Thermally Broken)



Bronze anodized
DS447DTB79N
DS447DTB80N
DS447DTB84N
DS447DTB95N
DS447DTB96N

Clear anodized
DS447CTB79N
DS447CTB80N
DS447CTB84N
DS447CTB95N
DS447CTB96N

White painted
DS447WTB79N
DS447WTB80N
DS447WTB84N
DS447WTB95N
DS447WTB96N

Astragals - Aluminum Inswing

Inswing Astragals

Each extruded aluminum astragal comes complete with top & bottom shoot bolts & 2 strikes, hardware pack, pile inner seal, snap in covers, dead bolt strike, latch strike & standard punch outs for deadbolt. **Kerf weatherseal & molded bottom boot not included with astragal, order separately.**

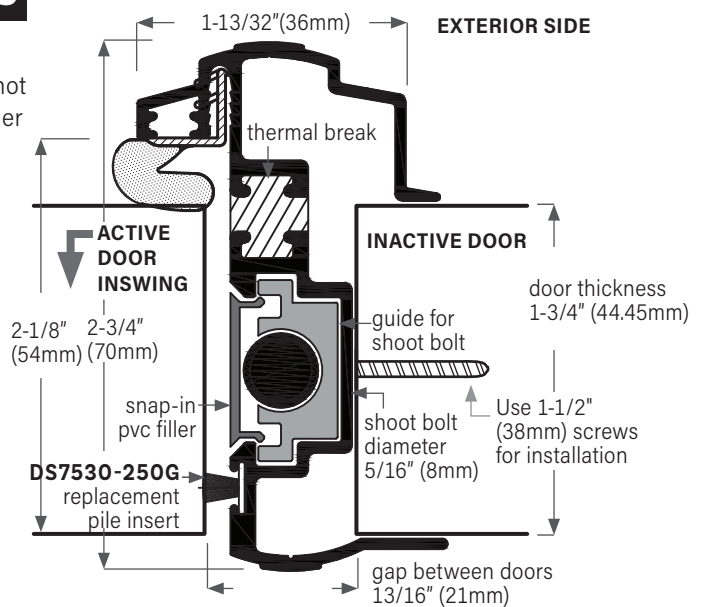
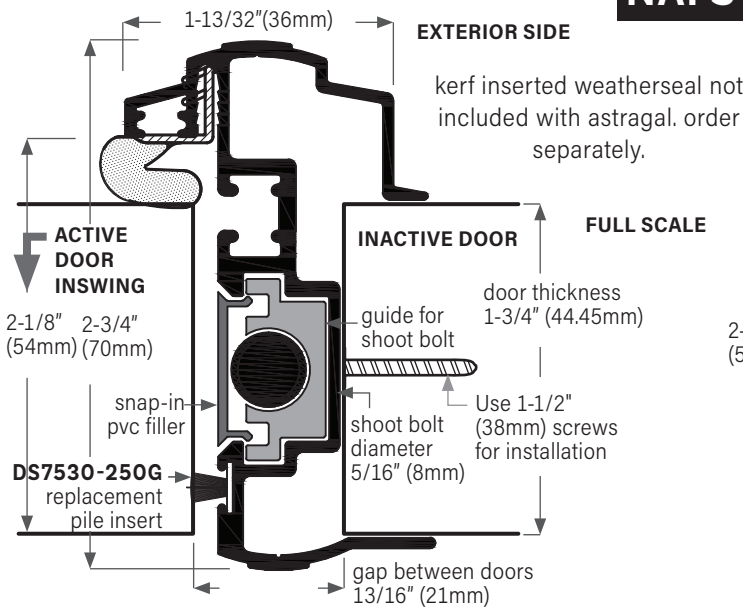
SIZES: 79" (2007mm), 80" (2032mm), 84" (2134mm), 95" (2413mm) & 96" (2438mm)

Custom sizes & custom finishes available, call for manufacturing time

DS346N Series (Non Thermally Broken)

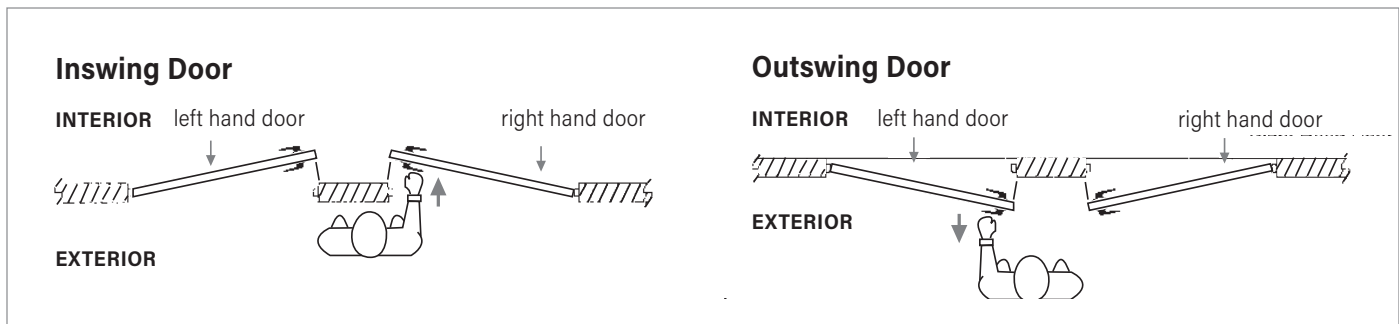
DS348N Series (Thermally Broken)

NAFS



Bronze anodized	Clear anodized	White painted
DS346D79	DS346C79	DS346W79
DS346D80	DS346C80	DS346W80
DS346D84	DS346C84	DS346W84
DS346D95	DS346C95	DS346W95
DS346D96	DS346C96	DS346W96

Bronze anodized	Clear anodized	White painted
DS348DTB79	DS348CTB79	DS348WTB79
DS348DTB80	DS348CTB80	DS348WTB80
DS348DTB84	DS348CTB84	DS348WTB84
DS348DTB95	DS348CTB95	DS348WTB95
DS348DTB96	DS348CTB96	DS348WTB96



Astragals - Aluminum Outswing

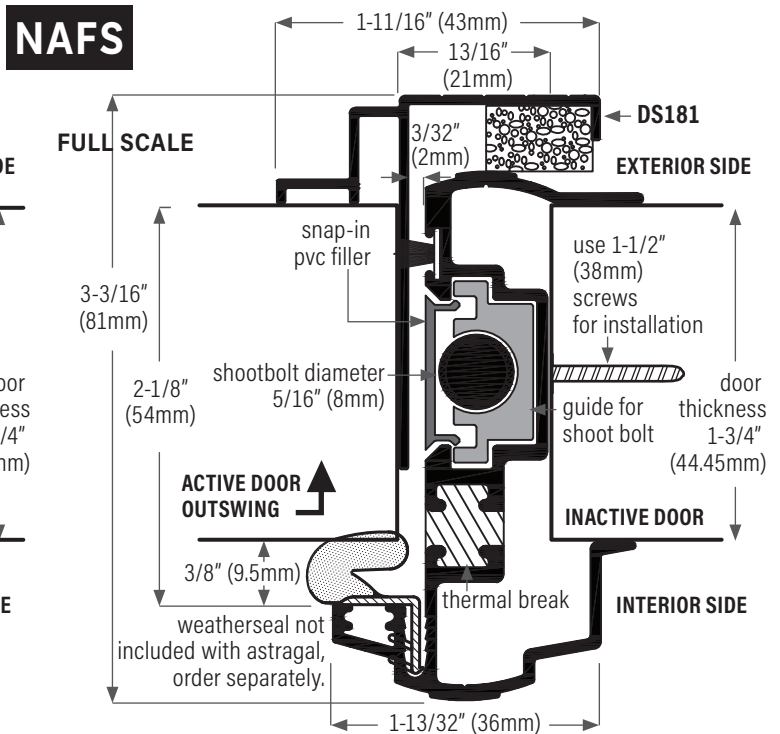
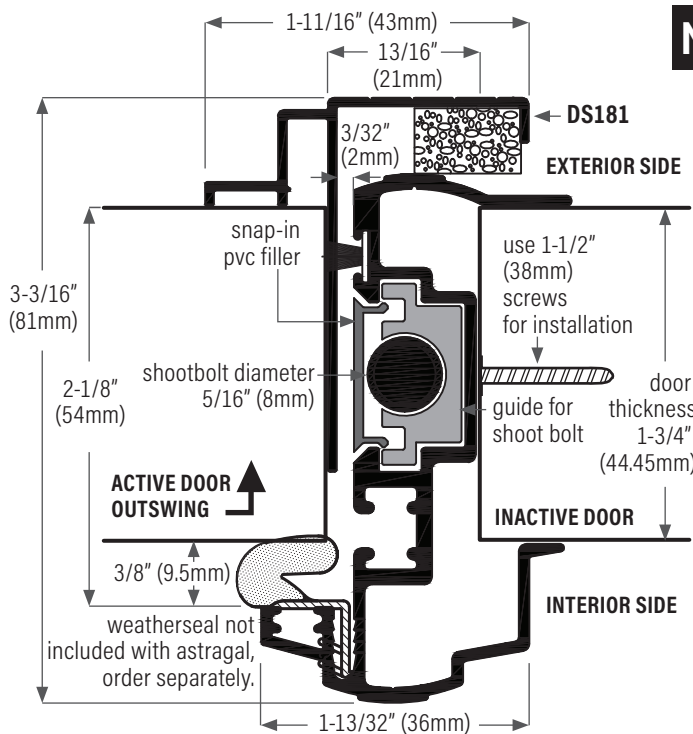
Outswing Locking Astragals

T-Bar astragal comes complete with pvc foam weatherseal gasket & punch outs for latch & deadbolt. Sold as 2 piece sets only. Triple weathersealed system. Each extruded aluminum astragal comes complete with top & bottom shoot bolts & 2 strikes, hardware pack, pile inner seal, snap in covers, dead bolt strike, latch strike & standard punch outs for deadbolt. **Kerf weatherseal & molded bottom boot not included with astragal, order separately.**

SIZES: 79" (2007mm), 80" (2032mm), 84" (2134mm), 95" (2413mm) & 96" (2438mm)
Custom sizes & custom finishes available, call for manufacturing time.

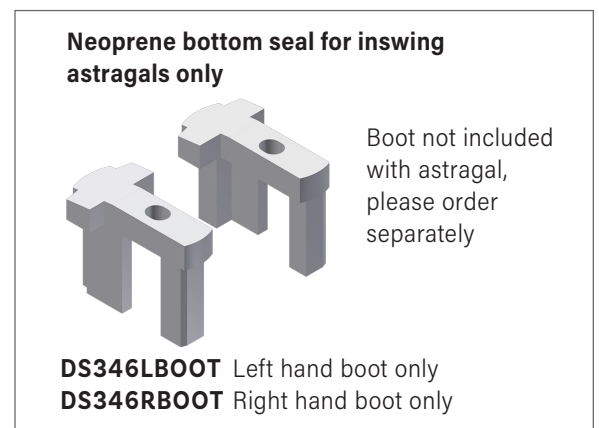
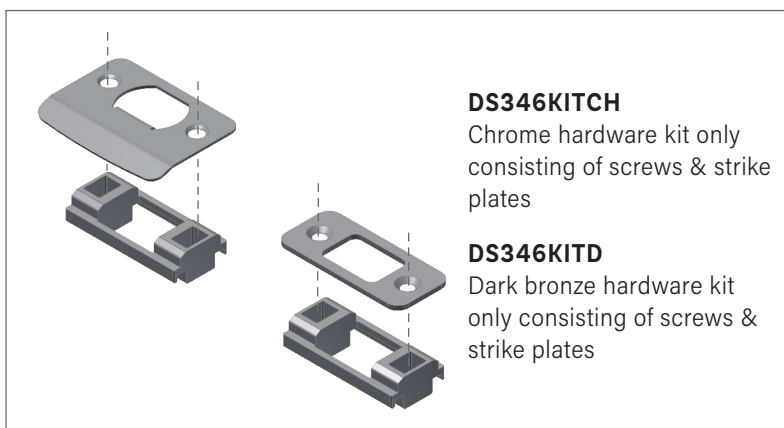
DS345N / DS181 Series (Non Thermally Broken)

DS347N / DS181 Series (Thermally Broken)



Bronze anodized	Clear anodized	White painted
DS345D79	DS345C79	DS345W79
DS345D80	DS345C80	DS345W80
DS345D84	DS345C84	DS345W84
DS345D95	DS345C95	DS345W95
DS345D96	DS345C96	DS345W96

Bronze anodized	Clear anodized	White painted
DS347DTB79	DS347CTB79	DS347WTB79
DS347DTB80	DS347CTB80	DS347WTB80
DS347DTB84	DS347CTB84	DS347WTB84
DS347DTB95	DS347CTB95	DS347WTB95
DS347DTB96	DS347CTB96	DS347WTB96



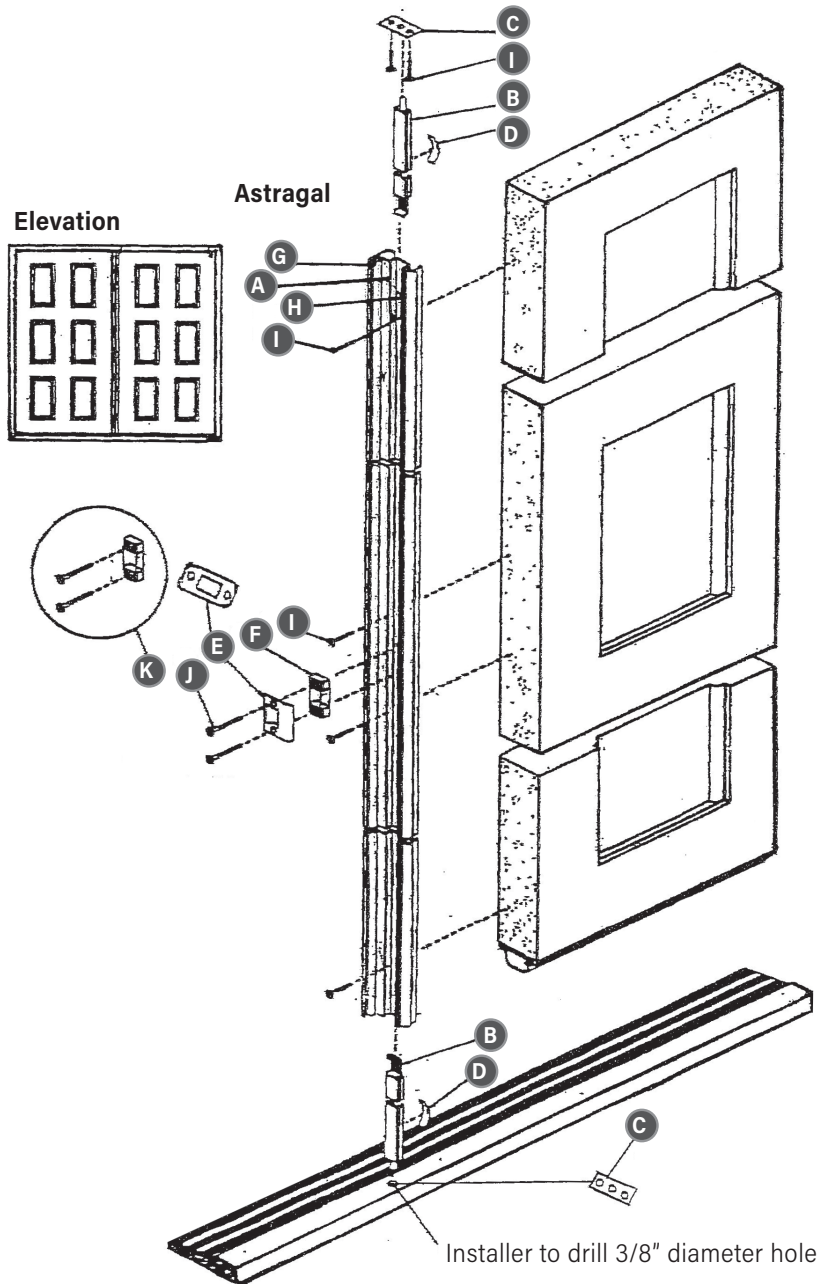
COMPONENTS

Components for DS346 & DS348 Inswing

item	description	quantity
A	astragal housing	1
B	slide bolt assembly	2
C	head strike / bottom strike	1
D	spring	2
E	latch strike & dead bolt strike	1 ea
F	spacer	2
G	primary kerfed w/ strip	Order separately
H	secondary pile strip	Full length
I	#8 x 3/4" wood screws	8
J	#8 x 1-1/4" wood screws	4
K & C	hardware kit (included)	1

Components for DS446 & DS448 Inswing

item	description	quantity
A	astragal housing	1
B	DS14 flushbolts	2 each, used in place of B & D
C	head strike / bottom strike	1
E	latch strike & dead bolt strike	1 ea
F	spacer	2
G	primary kerfed w/ strip	Order separately
H	secondary pile strip	Full length
I	#8 x 3/4" wood screws	8
J	#8 x 1-1/4" wood screws	4
K & C	hardware kit (included)	1



Components for Outswing Door Astragals Models: DS445, DS447, DS345 & DS347

Secondary T-bar astragal is supplied with the primary astragal.