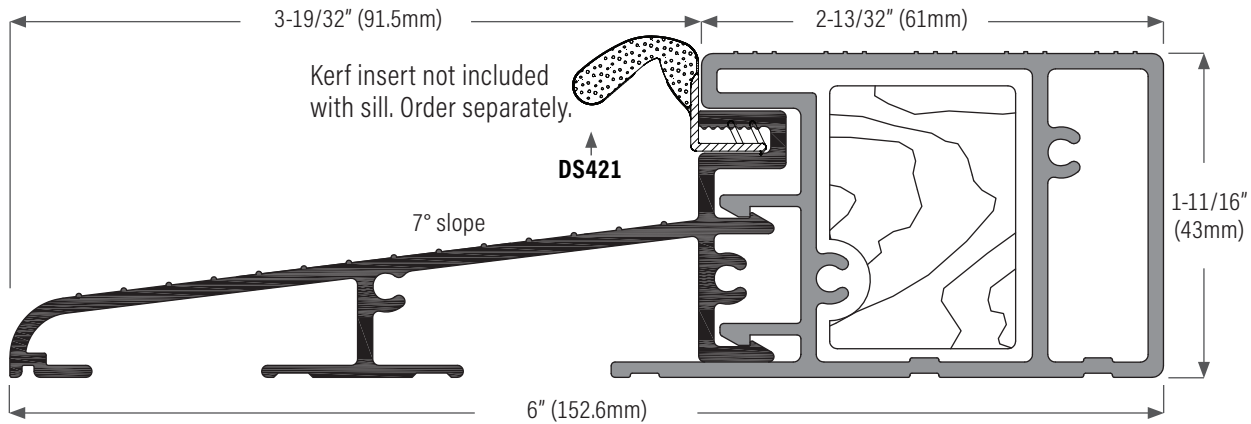
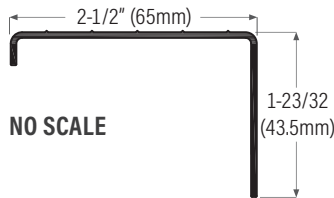


Millenium Series Outswing Sill

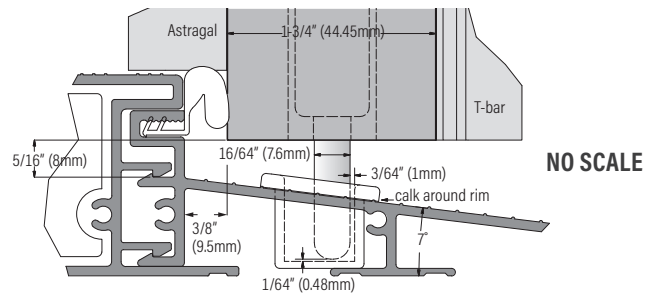
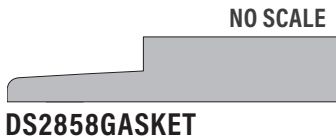


- DS2558AVT150** Extruded aluminum sill mill finish with PVC interior cap tan & 1 wood insert. 150" (3810mm) length.
- DS2558AVBL150** Extruded aluminum sill mill finish with PVC interior cap black & 1 wood insert. 150" (3810mm) length.
- DS2558DVBL150** Extruded aluminum sill, bronze anodized with PVC interior cap black & 1 wood insert. 150" (3810mm) length.
- DS2558DVT150** Extruded aluminum sill, bronze anodized with PVC interior cap tan & 1 wood insert. 150" (3810mm) length.

* This sill requires notching (by prehanger) for the optional DS420 continuous cornering weatherseal



DS2558SPC74 Protective cover for sill, Order separately



DS2636 Flushbolt cup for DS2858, DS2758, DS2558
DS2637 Gasket for DS2636 cup, fits under rim