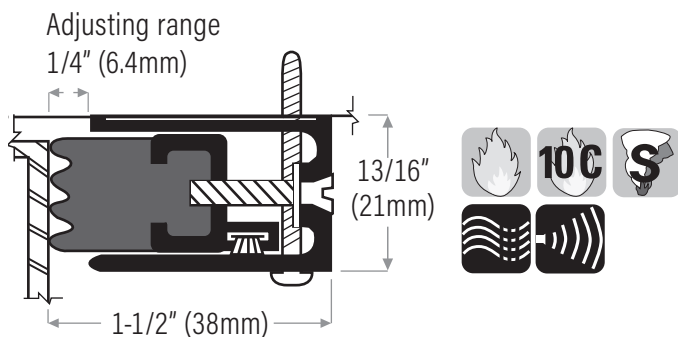


## Adjustable-Jamb Sound Seal



**DS340CN** Extruded aluminum clear anodized with neoprene insert, black

**DS340DN** Bronze anodized. Custom order, call for manufacturing time.

Weatherseal is supplied with punched holes and screws and are available in the following NET lengths / sets: 1/36" x 2/84" set (914 x 2134mm) & 1/72" x 2/84" set (1829 x 2134mm). Custom lengths available, call for manufacturing time.