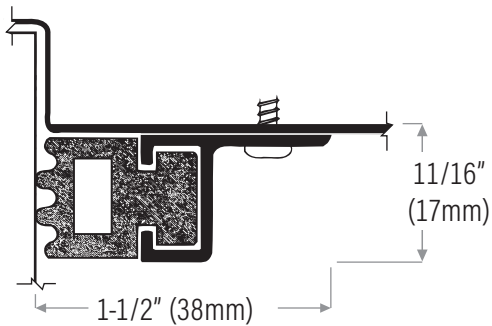


Adjustable-Jamb Sound Seal



DS341CN Clear anodized with neoprene insert, black

DSN41BLACK Replacement neoprene insert, black

Weatherseal is supplied with punched holes and screws and are available in the following NET lengths / sets: 1/36" x 2/84" set (914 x 2134mm) & 1/72" x 2/84" set (1829 x 2134mm). Custom lengths available, call for manufacturing time.