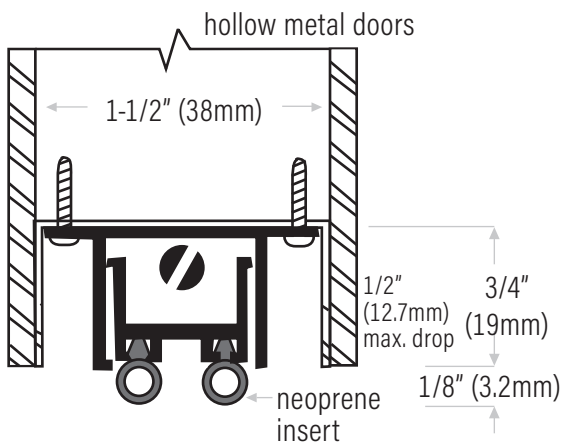


## Automatic Door Door Bottom, Mortise Application for Metal Doors



Lengths available:

24" (610mm) special order only

28" (711mm)

30" (762mm)

32" (813mm)

36" (914mm)

42" (1067mm)

48" (1219mm)



**DS344AN** Extruded aluminum mill finish with neoprene insert, black.

Fits in 1 5/8" x 3/4" (41mm x 19mm) bottom door channel & may be field cut (up to 4" [102mm]) in length to fit door & is reversible. This unit has an adjusting screw to regulate amount of drop to 1/2" (12.7mm).

A "furring strip" may be used to lower this automatic door bottom when a deeper channel is used. Units furnished 1/2" (12.7mm) shorter than ordered length in order to fit within net door size. Door Bottoms lengths available from 24" (610mm) - 48" (1219mm). Fire ratings apply to metal doors only.