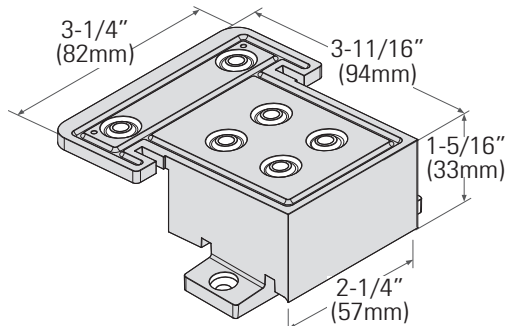


## Base Support Platform For Back To Back Jamb Mullions & T-Bar

Fits all DS1 Storm Sills, Inswing Applications

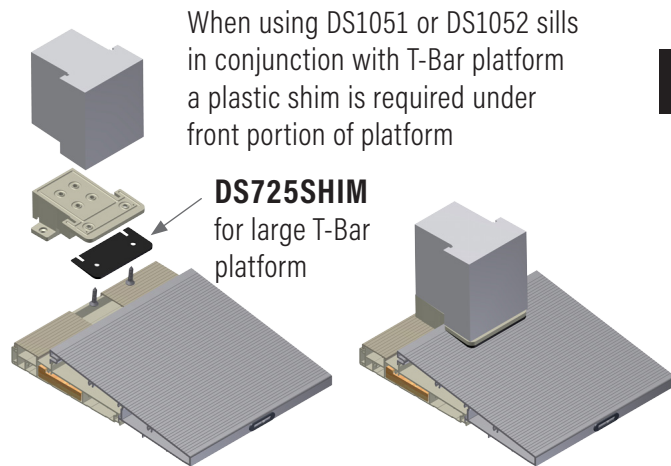
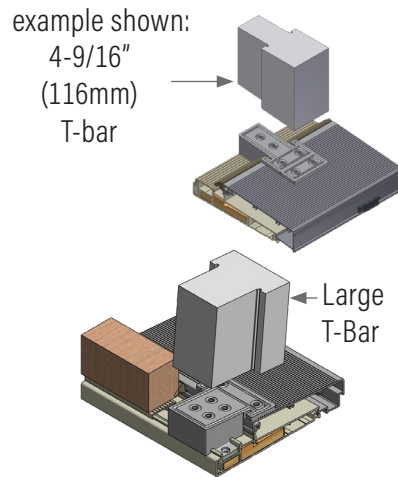


**DS725BSPT31116** tan

**DS725BSPW31116** white

**DS725BSPBL31116** black

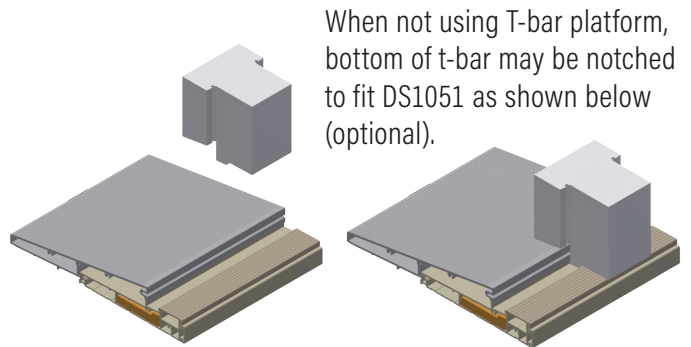
For large T-bar 3-11/16" (94mm) depth x 3-1/4" (83mm)



When using DS1051 or DS1052 sills in conjunction with T-Bar platform a plastic shim is required under front portion of platform

**DS725SHIM**  
for large T-Bar platform

**NAFS**



When not using T-bar platform, bottom of t-bar may be notched to fit DS1051 as shown below (optional).

**ALL DRAWINGS NO SCALE**