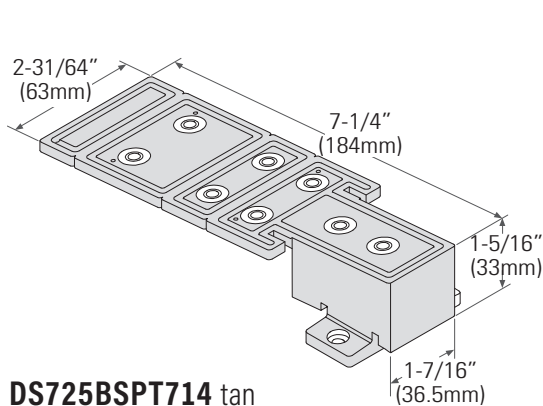
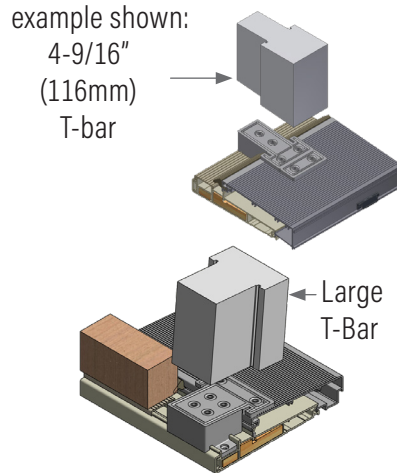


## Base Support Platform For Back To Back Jamb Mullions & T-Bar

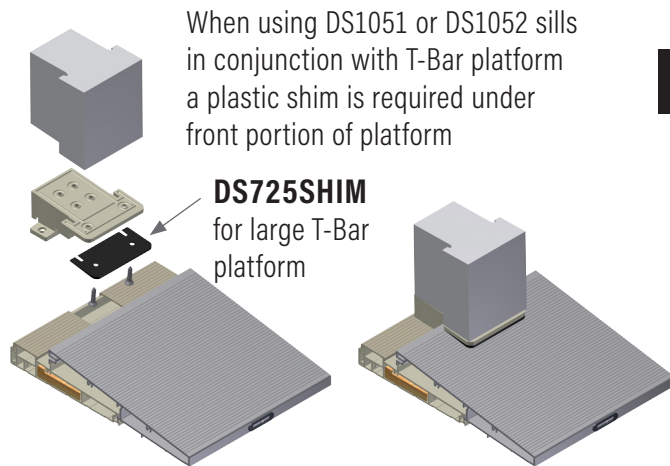
Fits all DS1 Storm Sills, Inswing Applications



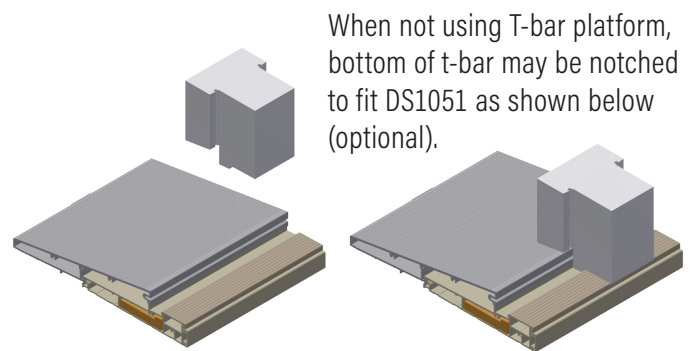
**DS725BSPT714** tan  
**DS725BSPW714** white  
**DS725BSPBL714** black



for 7-1/4" (184mm), 6-9/16" (167mm), 4-9/16" (116mm) back to back jamb mullions



**NAFS**



**ALL DRAWINGS NO SCALE**