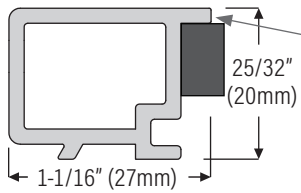


Sidelite Component for DS1 Storm (Gen 1 & Gen 2) - Sill Systems

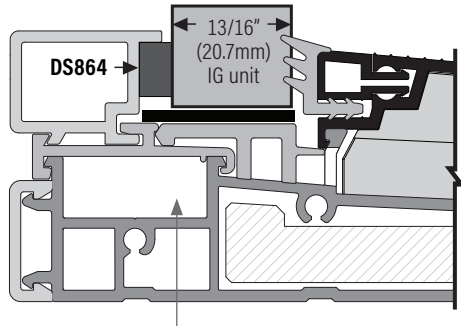


This profile as shown will accommodate 3/4" I.G. thickness. This lip to be reduced by 5/64" (2mm) so it can be used for 1" I.G. thickness

DS725BEADIG

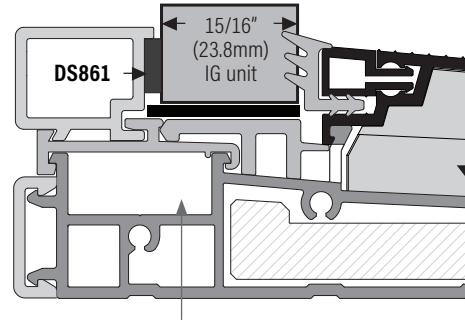
Interior bottom snap-in bead pvc for 3/4" sidelite I.G. units, 74" (1880mm) length only. Tan (TVE) & black (BLVE)

Direct glazing for 3/4" (19.05mm) I.G. unit
(Actual: 4mm, 12.7mm spacer bar, 4mm)



NAFS

Direct glazing for 1" (25.4mm) I.G. unit
(Actual: 4mm, 15.8mm spacer bar, 4mm)



NO SCALE

DS725GBLOCK3 PVC sidelite support platform is not a continuous profile. It is supplied in 3" (76mm) pieces & support each end of the sidelite panel.