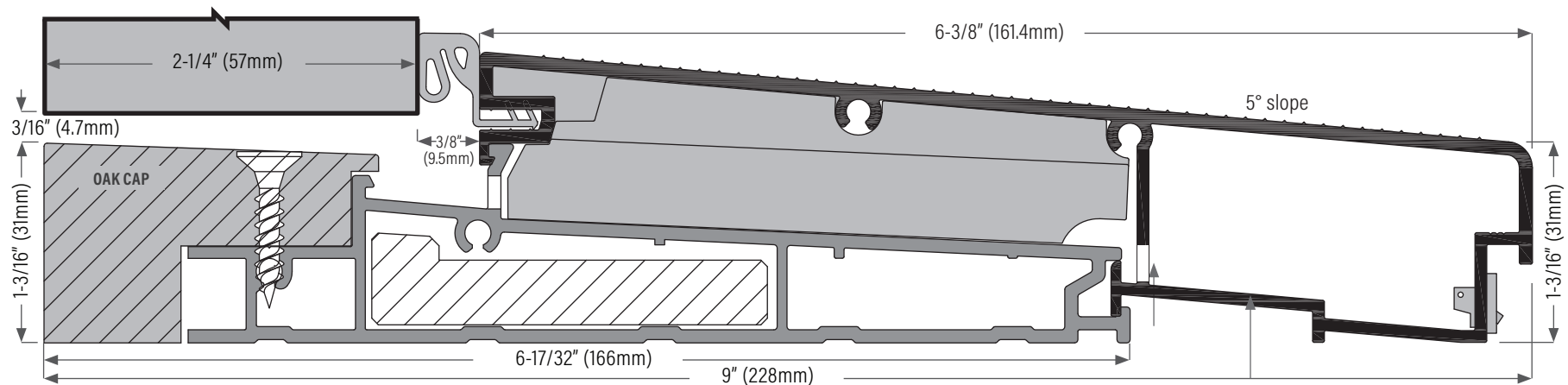


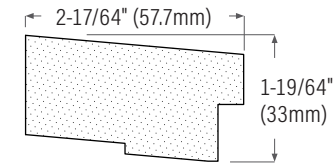
Gen 2 Inswing Sill, Pre-Hung Door Application

DS852 Application is used for 2-1/4" (57mm) door thickness

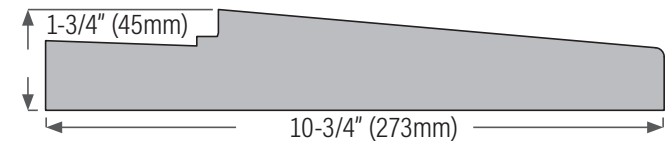


DS852A2OAK Mill finish with oak cap for 2-1/4" (57mm) door

DS852D2OAK Bronze anodized with oak cap for 2-1/4" (57mm) door



DS850SILLPLUG For DS850 & DS852 sills



DSISSGASKET214