

DraftSeal®

Weathersealing Specialists Since 1960

LOCAL STOCK: DOOR LOUVERS & VISION LITES

1900-A Louvers Non Vision Adjustable Z-Blades Self locking mechanism, single-sided fastening

MATERIAL	16 gauge CRS frame and louver blades.
FINISH	Baked on powder coat gray prime.
DOOR	For 1-3/4" door
STOCK SIZES	12" x 12" (304mm x 304mm) door louver, grey finish 18" x 12" (457mm x 304mm) door louver, grey finish 18" x 18" (457mm x 457mm) door louver, grey finish 24" x 12" (609mm x 304mm) door louver, grey finish 24" x 18" (609mm x 457mm) door louver, grey finish 24" x 24" (609mm x 609mm) door louver, grey finish

FIRE RATED

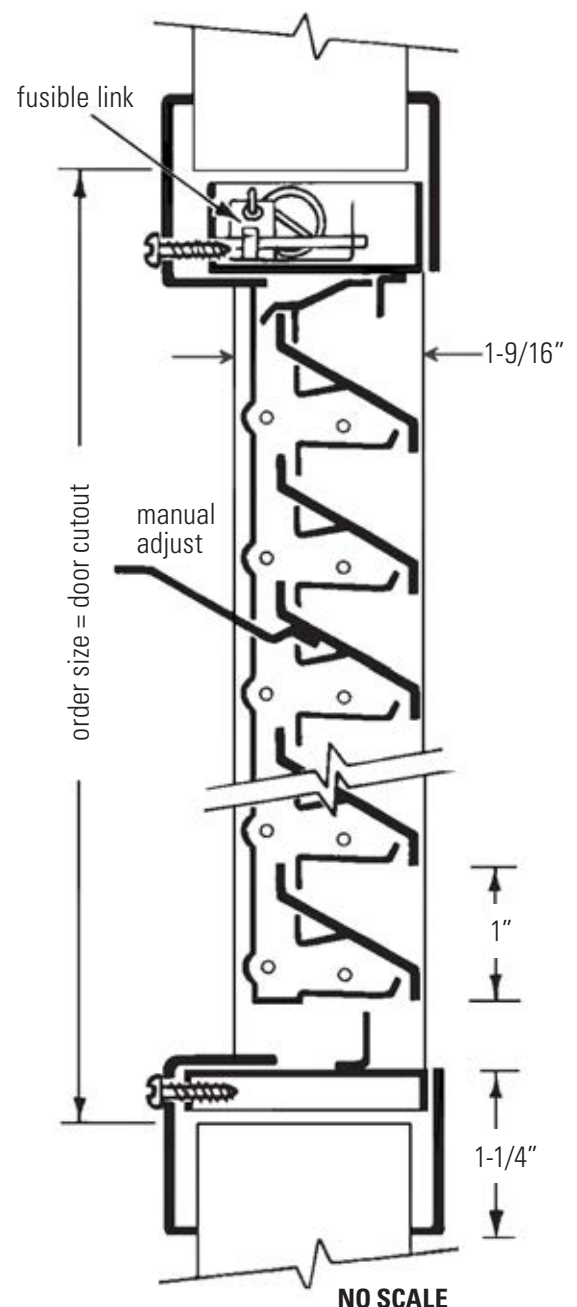


Fire Ratings (with UL and ITS classification markings):
The Model 1900-A is U.L. and WHI listed for use in fire doors up to 1-1/2 hour rating.

Louvre size shall not exceed maximum of 576 square inches, 24 inches width and 24 height. The minimum width and height shall not be less than 10 inches and 6 inches, respectively.

NOTE:

Fire rating depends on size of unit. Contact the DS Group for listings.



800 A1 Louvers Non-Vision Inverted Y- Blade

One-piece construction with single-sided fastening

Vandal-proof design; basic blade unit with flanged frame welded to face (corridor) side and separate removable flanged frame on opposite side; fits 1-3/4 thick doors only.

FEATURES Non-vision inverted "Y" blades. Fastening system eliminates mounting holes for thru bolts saving time and labor and leaves corridor side of door free of fasteners.

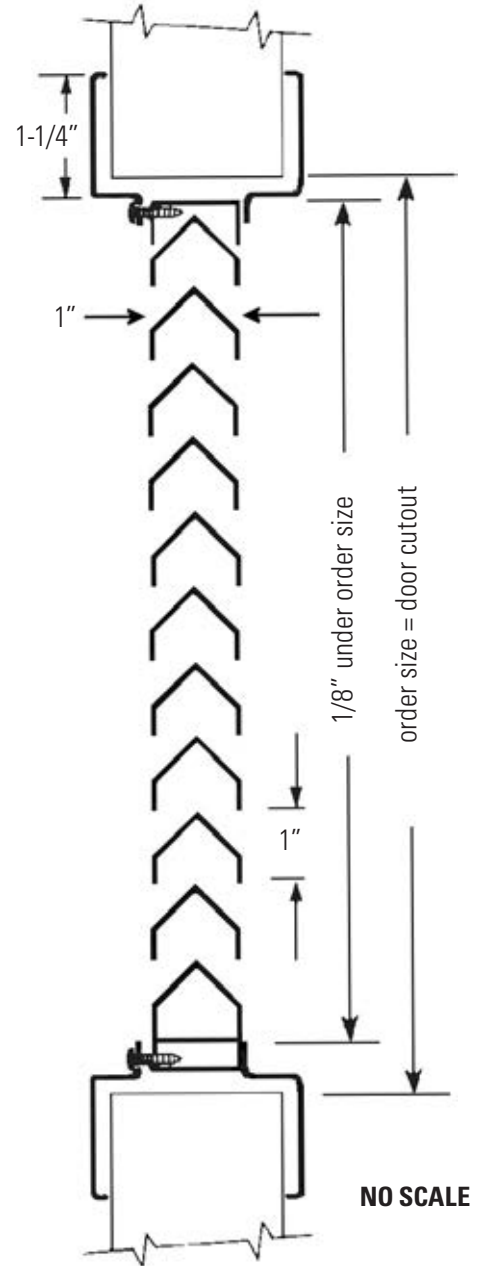
MATERIAL 18 gauge CRS frame.

FINISH Gray prime baked on powder coat.

DOOR "A1" style for 1-3/4" doors only

STOCK SIZES **NOTE:** Cutout is order size minus 1/8"

- 12" x 12" (304mm x 304mm) door louver, grey finish
- 18" x 12" (457mm x 304mm) door louver, grey finish
- 18" x 18" (457mm x 457mm) door louver, grey finish
- 24" x 12" (609mm x 304mm) door louver, grey finish
- 24" x 18" (609mm x 457mm) door louver, grey finish
- 24" x 24" (609mm x 609mm) door louver, grey finish
- 24" x 64" (609mm x 1625mm) door louver, grey finish



VLF-EZ Vision Lites (no glass)

Standard Beveled, single-sided fastening

MATERIAL	18 gauge CRS frame.
FINISH	Baked on powder coat gray prime.
DOOR	For 1-3/4" door
STOCK SIZES	<p>7" x 22" (177mm x 558mm) vision frame, grey finish</p> <p>8" x 30" (203mm x 762mm) vision frame, grey finish</p> <p>8" x 32" (203mm x 812mm) vision frame, grey finish</p> <p>12" x 12" (304mm x 304mm) vision frame, grey finish</p> <p>24" x 24" (609mm x 609mm) vision frame, grey finish</p> <p>24" x 30" (609mm x 762mm) vision frame, grey finish</p> <p>24" x 32" (609mm x 812mm) vision frame, grey finish</p> <p>24" x 36" (609mm x 914mm) vision frame, grey finish</p> <p>24" x 60" (609mm x 1524mm) vision frame, grey finish</p>

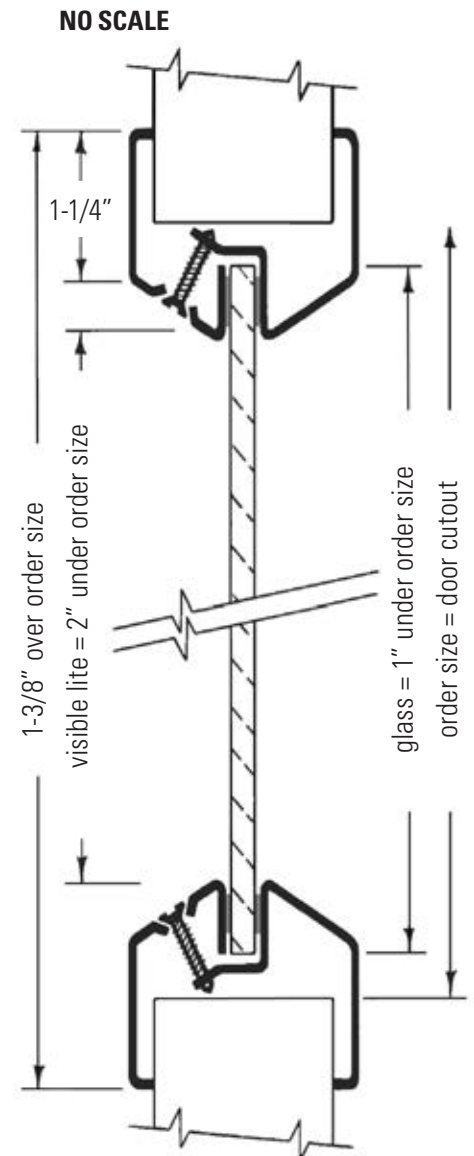
FIRE RATED



This product is listed by UNDERWRITERS LABORATORIES INC. and bears the mark. Tested and listed for U.L. 10C and criteria of UBC 7-2 positive pressure.

NOTE:

Fire rating depends on size of unit. Contact the DS Group for listings.



Round Vision Lite

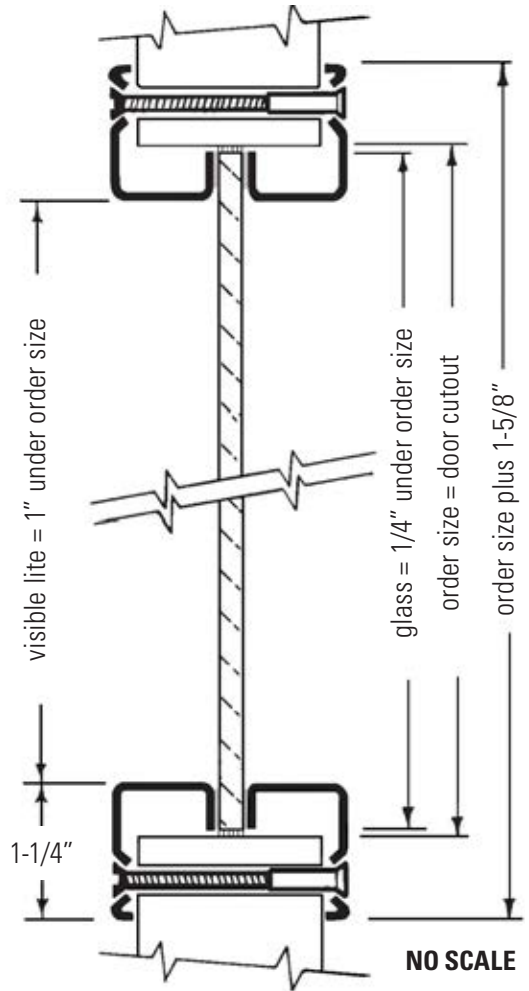
Model VLF-R-12, VLF-R-18 and VLF-R-24

MATERIAL	18 gauge CRS frame.
FINISH	Baked on powder coat gray prime.
DOOR	For 1-3/4" door
STOCK SIZES	12" (304mm) round vision frame, grey finish
FACTORY ORDER	18" (457mm) round vision frame, grey finish 24" (609mm) round vision frame, grey finish

FIRE RATED



Tested and listed for U.L. 10C and criteria of UBC 7-2 positive pressure



Head Office: Vancouver, Canada | Branch Offices & Manufacturing Centres: Toronto, Canada & Los Angeles, USA
Contact: www.DraftSeal.com | info@DraftSeal.com