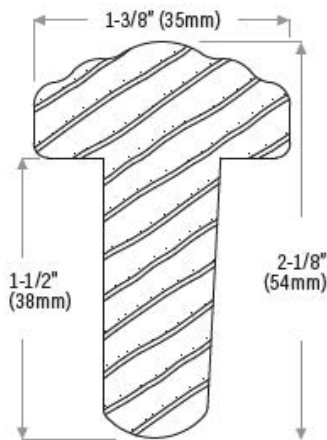


Astragals



DS196P80M1 1-3/8" (35mm) primed fir, machined for flush bolts, top only. 80" (2032mm)

DS196P80M1 1-3/8" (35mm) primed fir, machined for flush bolts, top only. 80" (2032mm)

DS196P80M2 1-3/8" (35mm) primed fir, machined for flush bolts, top and bottom. 80" (2032mm)

DS196P84M1 1-3/8" (35mm) primed fir, machined for flush bolts, top only, both sides. 84" (2134mm)

DS196P84M2 1-3/8" (35mm) primed fir, cut to custom length from 84" (2134mm) piece and machined for flush bolts, top and bottom (Non handed).

DS196P84 1-3/8" (35mm) primed fir, not machined, stock length.