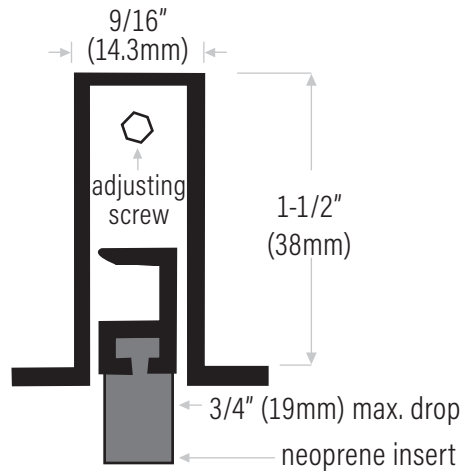


Automatic Door Door Bottom, Mortise Application

5/8" x 1-9/16" (16mm x 40mm)



Lengths available:

23-3/4"

31-3/4"

35-3/4"

41-3/4"

47-3/4"



- DS386AN24** Extruded aluminum mill finish with neoprene insert, black
- DS386AN32** Extruded aluminum mill finish with neoprene insert, black
- DS386AN36** Extruded aluminum mill finish with neoprene insert, black
- DS386AN42** Extruded aluminum mill finish with neoprene insert, black
- DS386AN48** Extruded aluminum mill finish with neoprene insert, black