

# DraftSeal®

NGP

Weathersealing Specialists Since 1960



## THRESHOLDS & WEATHERSEALS FOR COMMERCIAL DOOR APPLICATIONS

REFER TO DRAFTSEAL RESIDENTIAL CATALOGUE FOR PRE-HUNG DOOR COMPONENTS: SILLS, SWEEPS, WEATHERSEALS & ASTRAGALS

DraftSeal® Full Line Commercial Catalogue • Revision (7) April 2026

PRINTED CATALOGUE MAY NOT BE UP TO DATE, ALWAYS REFER TO PRODUCT WEBSITE FOR MOST UP TO DATE CONTENT

## ABOUT A.K. DRAFT SEAL ULC & KRISTRACK

### Tomorrow's Innovative Solutions for Today's Doors & Windows



#### Weathersealing Specialists Since 1960 - Weatherstripping, Thresholds, Sweeps & Astragals

**Draft Seal Co.** was founded in 1960 by Anton Kamensek then incorporated in 1973 as **A.K. Draft Seal ULC**. During the 1990's we became known by our trademark name **DraftSeal®**, the largest manufacturer of weatherstrip products in Western Canada. After his retirement in the early 1990s, his son, Chris, who had been with the company since 1973, purchased **DraftSeal®** and started the **Kristrack®** division. The year 2010 marked the 50th year in business for **DraftSeal®** as a manufacturer and supplier of weathersealing and door sill products for commercial and residential applications.

In 2013 we introduced our new DS1 Storm - Sill System to comply with the new building code that requires exterior door sill systems to be tested for air, water and structural. We will be introducing our new DSF1 Accordion Screen, which is integrated with our DS1 Storm - Sill System. Our manufacturing centre in British Columbia, Canada, produces a line of weatherstrip and sill products for the pre-hung door industry as well as a do-it-yourself line of residential weatherstripping for the consumer market.

In early 2023 A.K. Draft Seal Ltd and Kristrack Manufacturing were acquired by National Guard Products (NGP). NGP is a family-run business and is a leading manufacturer of quality commercial door products—founded in 1935 on a commitment to customer service. Moving forward, our new name is A.K. Draft Seal ULC.



#### Interior Track And Hardware For Sliding, Bifold And Pocket Doors

**KrisTrack®** Manufacturing ULC, was formed in 1991 to compliment the **DraftSeal®** line of weathersealing and door sill products. **KrisTrack®** manufactures and supplies sliding and bifold door track with accompanying hardware and accessories; applications include residential, commercial and industrial. The year 2016 marked the 25th year in business for **KrisTrack**. Our manufacturing centre in British Columbia, Canada, also produces a line of specialty pocket door frames custom made in knock down, half knock down, and ready-made styles.

### General Information & Terms

This **DraftSeal®** Catalogue supersedes all previous versions. Please visit **DraftSeal.com** for our full terms & conditions, freight, warranty, returns & allowances, claims policy, & other general information.

Product drawings throughout this catalogue are representations of the product size, dimensions, shape, etc. Changes & updates to this catalogue may occur without notice. This may include, but not limited to, specifications, product availability & product materials. A.K. Draft Seal ULC will not be held liable for any changes to this catalogue, or products depicted in this catalogue that may not match our CAD drawings.

A.K. Draft Seal ULC will not be liable for defects or damages arising from improper installation, product modification, incorrect application or storage of product. Written notice of damages must occur within the warranty period. Liability shall be limited to the replacement of product or component determined to be defective & shall not include costs arising from removal or reinstallation of product. Cost of replacement shall not exceed original purchase price. No other claims will be allowed. In no event shall liability be extended to include punitive, incidental or consequential damages arising from use of A.K. Draft Seal ULC products. This is the sole warranty given by A.K. Draft Seal ULC. No other warranty implied or expressed shall be allowed.

By purchasing our products you agree to our Terms & Conditions herein stated.

# INDEX

PROD #	PAGE #	PROD #	PAGE #	PROD #	PAGE #	PROD #	PAGE #
103NA	30	DS156	26	DS353	21	DS4000	9
107NA	30	DS158	26	DS388	28	DS4000LA	10
108NA	31	DS161	29	DS400	14,8	DS4001TBA	14
122NA	31	DS162	29	DS401TBA	18	DS4440	14
125NA	36	DS164	29	DS415	34	DS5000	9
140PA	36	DS166	29	DS421	41	DS5001TBA	14
170SA	32	DS176	11	DS422	35	DS5005C	10
222NA	25	DS177	19	DS424	35	DS5005D	10
320NA	25	DS177X4TBAT	16	DS434	41	DS5006SS	20
335NA	25	DS177X5TBAT	16	DS444	11,12	DS5007SS	20
420NA	24	DS177X6TBAT	16	DS444HA	13	DS5555	13
423NA	24	DS178	19	DS500	8	DS6000	9
675A	36	DS179	39	DS501TBA	18	DS6001TBA	14
2525C	33	DS180	40	DS510SS	10	DS6002TBA	14
5050C	33	DS181	40	DS555HA	13	DS6666	13
B606A	36	DS182	40	DS600	8	DS7000	9
DST33BL	32	DS183	40	DS600HA	10	DS7001TBA	15
DS61-50	41	DS184	38	DS601TBA	18	DS7777	13
DSS66	38,33	DS185	40	DS602TBA	18	DS8000	9
DS67-50	41	DS186	39	DS603TBA	17	DS8001TBA	15
DS74-25	41	DS187PS	39	657A	20	DS9002TBA	15
DS76-12.5	41	DS188	38	R050	20	DS10001	22
DS78-50	41	DS200	14	DS666HA	13	DS10002TBA	15
DS79-12.5	41	DS201	17	DS700	8	DS11000	22
DS95	8	DS202TBAN	17	DS701TBA	18	DS12000	22
DSS99D	33	DS205TBI	17	DS703TBA	17	DS13000	22
DS100	32	DS206TBI	14,15	DS777HA	13	DS14000	22
DS103	36,32	DS210	28	DS800	8	DS ROD	41
DS104	32	DS211	28	DS800HA	10	DS FIN-PILE	37
DS118	32	DS212	28	DS801TBA	18	DS TAPES	41
DS120	11	DS216	28	DS803TBA	17		
DS121	11	DS217	28	DS804TBA	17		
DS130	32	DS222	11,12	DS903TBA	17		
DS133	32	DS234	28	DS1000HA	23		
DS136	27	DS243	31	DS1003TBA	17		
DS137	36	DS275TBAT	17	DS1200HC	23		
DS138	27	DS276TBAT	17	DS1300HA	23		
DS141	32	DS277X6TBAT	16	DS1400HA	23		
DS140	26	DS277X7TBAT	16	DS2000	10		
DS144	26	DS277X8TBAT	16	DS2002	14		
DS148	36,29	DS333	11,12	DS2220	14		
DS149	29	DS338	31	DS2648	4,22,23		
DS150	29	DS351	21	DS3330	14		

### General Information & Terms

This DraftSeal® Catalogue supersedes all previous versions. Please visit DraftSeal.com for our full terms & conditions, freight, warranty, returns & allowances, claims policy, and other general information.

### Ordering

Please order material by catalogue number, specifying length required & number of pieces. Most weatherseals & thresholds are stocked in standard sizes & most are available in lengths up to 12 ft (3657mm). Thresholds are cut with 1/2" (12.7mm) to 1" (25.4mm) extra for trimming to size. For exact size, order threshold or weatherseal to specified length followed by "NET".

Thresholds ordered under 36" (914mm) will be charged as 36" (914mm).

Products ordered over 6 ft. (189mm) but under 9 ft. (2743mm) will be charged as 9 ft. (2743mm).

Products ordered over 9 ft. (2743mm) but under 12 ft. (3658mm) will be charged as 12 ft. (3658mm).

**Please refer to DraftSeal full line price list for all product numbers, finishes, lineals, lengths & coil lengths.**

### Threshold Lengths

Thresholds are supplied with punched countersunk holes with screws and plugs and are only available in the following NET lengths:

**36-1/2" (927mm), 49" (1245mm), 73" (1854mm), 110" (2794mm), 147" (3734mm) stock length.**

Extra wide thresholds 9" (229mm) and over are supplied punched unless otherwise specified.

### Jamb & Header Weatherseal Lengths

Weatherseals are supplied with punched holes and screws and are only available in the following NET lengths / sets:

**1/3' x 2/7' (914 x 2134mm) set, 1/3' x 2/8' (914 x 2438 mm) set, 1/6' x 2/7' (1829 x 2134mm) set, 3 x 8' (2438mm) set**

### Door Bottom Sweep Lengths

Door bottom sweeps are supplied with punched holes and screws and are only available in the following NET lengths:

**36" (914mm), 48" (1219mm), 84" (2134mm) & 96" (2438mm)**

### PVC Protective Tape



**DS2648** PVC protective tape, apply to any sill or threshold. Purchase by roll. 6" (154mm), 8" (203mm), 12" (304mm) widths, 500' roll each.

**Materials, Finishes & Fabrication**

**Aluminum**

All aluminum extrusions are alloy 6063T5 & are furnished in mill finish (A). Some are available in clear anodized (C), bronze anodized (D).

**Vinyl Inserts (flexible)**

All cold temperature vinyl (p.v.c.) inserts are extruded from pure vinyl raw material.

**TPE (T) inserts (flexible)**

Some inserts are available in thermal plastic elastomer material. This TPE material has low temperature flexibility (remains flexible down to -80° Fahrenheit (-62° Celsius). It has excellent U.V. stability & resistance to compression set. It is designed for applications requiring non flammability. It also has good chemical resistance to alcohols, acids & bases.

**Neoprene (Neoprene spec applies to certain products)**

Synthetic rubber polymer blend: Polychloroprene & EPDM, very good abrasion resistance, tensile strength & memory, flame & moisture resistant. Temperature range -30° to 250° Fahrenheit (-34° to 121° Celsius). Good resistance to ozone, sunlight & aging; BHMA Certified to ANSI/BHMA A156.22 performance tests for Heat, Cold, Air Infiltration & Smoke Infiltration.

**Silicone (Silicone spec applies to certain products)**

Synthetic rubber polymer: Polysiloxane. Excellent flexibility & memory, flame & moisture resistant. Temperature range -100°F to 500°F, remains flexible at extreme temperatures. Excellent resistance to ozone, UV & aging. Recommended for areas using FM200 or Halon Fire Suppression Systems. BHMA Certified to ANSI/BHMA A156.22 performance tests for Heat, Cold, Air Infiltration & Smoke Infiltration.

**Vinyl (rigid)**

All PVC rigid profiles are extruded from PVC raw materials & are available in Solid Brown (B), White (W), Grey (G), Black (BL) & Sandstone (S) as indicated. Some profiles are extruded as Dual Durometer (flexible & rigid PVC fused together).

**Screws**

All thresholds are punched & countersunk for #10 Robertson flat head wood screws. Plated screws & plastic anchors of appropriate length are furnished with all aluminum & oak thresholds free of charge. All aluminum weatherseals are punched with slotted holes for #6 quad truss head self drilling screw. Plated screws of appropriate length are furnished with all weatherseals free of charge. Antique bronze-plated screws of appropriate length are furnished with all black weatherseals & thresholds free of charge.

**Standard Finishes**

- |                                  |                                 |
|----------------------------------|---------------------------------|
| <b>A</b> Mill finish aluminum    | <b>W</b> Painted white aluminum |
| <b>C</b> Clear anodized aluminum | <b>B</b> Painted brown aluminum |
| <b>D</b> Black aluminum          | <b>SS</b> Stainless steel       |

**Inserts**

- |                             |   |  |
|-----------------------------|---|--|
| <b>N</b> Neoprene or rubber | <b>S</b> Silicone seal or sponge silicone | <b>GREY</b> Grey<br><b>Insert Colors</b><br><b>TAN</b> Tan |
| <b>NB</b> Nylon brush       | <b>V</b> Vinyl                            |  |
| <b>P</b> Pile               | <b>T</b> TPE (Thermoplastic elastomer)    |  |
| <b>R</b> Sponge neoprene    |   |  |

**Fabrication Options**

**RIP:** Width || **L-NOTCH:** Both ends of threshold | **U-NOTCH:** Both ends of threshold

**Custom Fabrication**

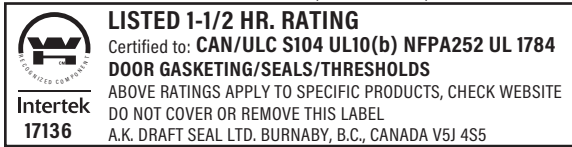
Charges will apply for any ripping of thresholds, custom fabrication, custom drilling or punch pattern.

## Product Testing & Classification Symbols

Symbols below & throughout this 2026 Catalogue are most up-to date & supersede all other information in print.

The Symbols below are shown adjacent to products throughout the catalogue to help identify products that meet specific ratings and/or code requirements. The 2 actual adhesive backed labels shown below are adhered to each of our rated products.

ACTUAL PRODUCT LABEL (NOT TO SCALE)



**Tested in accordance with CAN/ULC S104, ASTM E-152, CFSM 43.7, NFPA 252-08, UBC 7-2-1997, UL 1784 (Formerly UBC 43-2-1991), UL 10(b) (2008). Listed for Canada & USA - Fire Rated**

Products indicated by this symbol are rated, listed & labelled as material for use on listed steel frames & listed swinging type fire doors of the hollow metal or steel covered composite type rated up to 1-1/2 hours. These products have been listed & labelled as a result of testing done by Warnock Hersey certifying that these products do not adversely affect the fire resistance of the door or frame. Products are regularly checked under the follow up factory inspection & certification service for manufacturing compliance with Warnock Hersey specifications. Contact A.K. Draft Seal ULC for further information.



Tested in accordance with UL 10(b) (2009) - Fire Tests of Door Assemblies, and CAN/ULC S104-10 – Standard Method for Fire Tests of Door Assemblies.

ACTUAL PRODUCT LABEL (NOT TO SCALE)



**Tested in accordance with CAN/ULC S104, ASTM E-152, CFSM 43.7, NFPA 252-08, UBC 7-2-1994 (Formerly UBC 43-2-1991), UL 10(b) (2008). Listed for Canada & USA - Fire Rated**

These products have been listed & labelled as a result of testing done by Warnock Hersey certifying that these products do not adversely affect the fire resistance of the door or frame. Products are regularly checked under the follow-up factory inspection & certification service for manufacturing compliance with Warnock Hersey specifications. Contact A.K. Draft Seal ULC for further information. Thresholds or sills for use with listed wood frames & listed swinging type doors of wood or steel faced construction, 20 minute rated. Gasketing material for use on listed wood or steel frames & listed swinging type fire doors of wood or steel faced construction, 20 minute rated.



**Smoke Tested** to UL: 1784 (2015). Meets requirements for NFPA 105. Products indicated by this symbol are listed by Intertek as having been tested in accordance with Standard UL 1784 Air leakage tests of door assemblies, and meet the performance criteria for allowable air leakage as specified in NFPA 105 - Installation of Smoke Control Door Assemblies.



**Barrier Free** Meets requirements of ADAAG - 1998 & ICC / ANSI A177.1-1998. Products indicated by this symbol are access compliant by having installed height differences not over 1/2" (12.7mm) with allowable edge & slope conditions.



**UL10B & CAN4-S104-80M Classified**, Complies with NFPA 80 & NFPA 252 for application to Steel fire doors rated up to 3 Hrs., & Wood type fire doors rated up to 90 minutes. (Rating on some items vary & are noted.)



**Positive Pressure UL10C Classified**, Category 'J'; complies with IBC, NFPA 80 & NFPA 252 for application to Positive Pressure Steel fire doors rated up to 3 Hrs., & Wood type fire doors rated up to 90 minutes. (Ratings on some items vary & are noted.)



**NGP-EDGE® Sealing System**, Category 'G' classified; required for Category B classified wood type fire doors to meet positive pressure requirements complying with IBC, & NFPA 252. See individual products for maximum door size & ratings.



**Smoke & Draft Control Gasketing**, Category 'H' classified; complies with IBC, UL1784 & NFPA 105 for use on 'S' labeled Positive Pressure Steel fire doors rated up to 3 hours, & wood type fire doors rated up to 90 minutes. (Ratings on some items vary & are noted.)



**Acoustical Tested** to ASTM E90 standard test method for laboratory measurement of airborne sound transmission loss of building partitions & elements, & astm e1408 standard test method for laboratory measurement of the sound transmission loss of door panels & door systems.



**Air Infiltration Tested** to ASTM E283, standard test method for determining rate of air leakage through exterior windows, curtain walls, & doors.



Fire Rated 3 Hours



Smoke Tested



UL Rating



Air Infiltration Tested

Thresholds

PRODUCT TYPE	PROFILE EXAMPLE	ADA	RATED PROD. AVAILABLE	PAGE NUMBER
1/2" (12.7mm) rise thresholds				8
1/4" (6.4mm) low rise thresholds				9, 10
Specialty thresholds stainless steel & heavy duty				10
Stop strip & bumper thresholds				11
Floor transition & half thresholds				12
Low rise half & heavy duty half thresholds				13
Low rise thermally broken thresholds & components				14
Low rise thermally broken thresholds				15
Thermally broken thresholds & panic exit thresholds				16, 17
Thermally broken thresholds				18
Panic exit thresholds				19
Ramp thresholds & flat stainless steel thresholds				20
Oak thresholds				21
Specialty low rise thresholds 9" to 14" (229 to 356mm) extra wide				22, 23
Specialty thresholds 9" to 14" (229 to 356mm) extra wide				24, 25

Door Weatherseals, Sweeps, Meeting Stiles, Astragals

PRODUCT TYPE	PROFILE EXAMPLE	RATED PROD. AVAILABLE	PAGE NUMBER
Automatic door bottoms (surface & mortise)			26, 27
Door bottom sweeps			28, 29
Door shoes & door cap cap			30
Rain drips & brush door bottom sweeps			31
Jamb mounted weatherseals & sound seals			32-34
Jamb mounted sound seals			33
Adhesive backed / jamb gasket seals			35
Adhesive backed / jamb weatherseals & intumescent seals			36
Retrofit door weathersealing kits			37
Meeting stiles			38
Meeting stiles & fin pile seals			39
Astragals (flat & t-bar), security			40, 41, 42

Specialty Products

PRODUCT TYPE	PROFILE EXAMPLE	PAGE NUMBER
Multipurpose (neoprene & foam) adhesive backed tapes, fin pile		39, 43
<b>DS2648</b> PVC protective tape, apply to any sill or threshold. Purchase by roll. 6" (154mm), 8" (203mm), 12" (304mm) widths, 500' roll, each		4, 23, 25

Residential Door Products

PRODUCT TYPE	PROFILE EXAMPLE	Refer to DraftSeal residential catalogue
Pre-hung door sill, sweeps, jamb seals, astragals & corner pads		

# THRESHOLDS

## 1/2" (12.7mm) Rise Thresholds

1/2" (12.7mm)

4" (102mm)

**DS400A** Extruded aluminum mill finish  
**DS400D** Black anodized

**1-1/2 HR RATING**  
.518 lbs./ft. (.771 kg/m)

1/2" (12.7mm)

5" (127mm)

**DS95A** Extruded aluminum mill finish  
**DS95D** Black anodized

**1-1/2 HR RATING**  
.493 lbs./ft. (.734 kg/m)

1/2" (12.7mm)

5" (127mm)

**DS500A** Extruded aluminum mill finish  
**DS500D** Black anodized

**1-1/2 HR RATING**  
.606 lbs./ft. (.902 kg/m)

1/2" (12.7mm)

6" (152mm)

**DS600A** Extruded aluminum mill finish  
**DS600D** Black anodized

**1-1/2 HR RATING**  
.747 lbs./ft. (1.112 kg/m)

1/2" (12.7mm)

7" (178mm)

**DS700A** Extruded aluminum mill finish  
**DS700D** Black anodized

**1-1/2 HR RATING**  
.913 lbs./ft. (1.359 kg/m)

1/2" (12.7mm)

8" (203mm)  
product not shown full width

**DS800A** Extruded aluminum mill finish  
**DS800D** Black anodized

**1-1/2 HR RATING**  
1.158 lbs./ft. (1.724 kg/m)

Thresholds on this page are supplied with punched countersunk holes with screws and plugs and are only available in the following NET lengths (except as noted):

36-1/2"	927mm
49"	1245mm
73"	1854mm
110"	2794mm
147"	3734mm

# THRESHOLDS

## 1/4" (6.4mm) Low Rise Thresholds

Thresholds on this page are supplied with punched countersunk holes with screws and plugs and are only available in the following NET lengths (except as noted):

36-1/2"	927mm
49"	1245mm
73"	1854mm
110"	2794mm
147"	3734mm

1/4" (6.4mm)

4" (102mm)

**DS4000A** Extruded aluminum mill finish  
**DS4000D** Black anodized

1-1/2 HR  
 Intertek RATING  
 .598 lbs./ft. (.890 kg/m)

1/4" (6.4mm)

5" (127mm)

**DS5000A** Extruded aluminum mill finish  
**DS5000D** Black anodized

1-1/2 HR  
 Intertek RATING  
 .712 lbs./ft. (1.06 kg/m)

1/4" (6.4mm)

6" (152mm)

**DS6000A** Extruded aluminum mill finish  
**DS6000D** Black anodized

1-1/2 HR  
 Intertek RATING  
 .835 lbs./ft. (1.243 kg/m)

1/4" (6.4mm)

7" (178mm)

**DS7000A** Extruded aluminum mill finish  
**DS7000D** Black anodized

1-1/2 HR  
 Intertek RATING  
 .954 lbs./ft. (1.42 kg/m)

1/4" (6.4mm)

8" (203mm)  
 product not shown full width

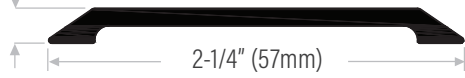
**DS8000A** Extruded aluminum mill finish  
**DS8000D** Black anodized

1-1/2 HR  
 Intertek RATING  
 1.1047 lbs./ft. (1.638 kg/m)

# THRESHOLDS

## Specialty Thresholds

3/16" (4.7mm)



**DS2000A** Extruded aluminum mill finish  
**DS2000D** Black anodized



Thresholds on this page are supplied with punched countersunk holes with screws and plugs and are only available in the following NET lengths (except as noted):

36-1/2"	927mm
49"	1245mm
73"	1854mm
110"	2794mm
147"	3734mm

1/8" (3mm)



**DS4000LA** Extruded aluminum mill finish. Holes are punched & staggered when specified. Length available: 12ft (3658mm) only. **Note: Special order only, minimum run required 1500LF**



1/4" (6.35mm)



**DS5005C** Extruded aluminum, clear anodized finish.  
**DS5005D** Extruded aluminum, black anodized finish.

## Stainless Steel

1/2" (12.7mm)

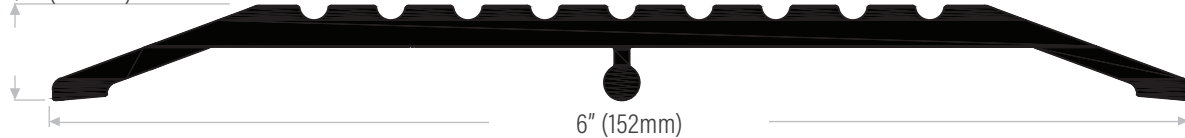


**DS510SS** Stainless steel, 304 SS brushed finish. Lengths available: 36-1/2" (927mm) 73" (1854mm) 120" (3048mm).



## Heavy Duty (H) Thresholds (Mill finish is standard. Bronze anodized available on custom order)

1/2" (12.7mm)



**DS600HA** Extruded aluminum heavy duty, mill finish or black anodized



1/2" (12.7mm)

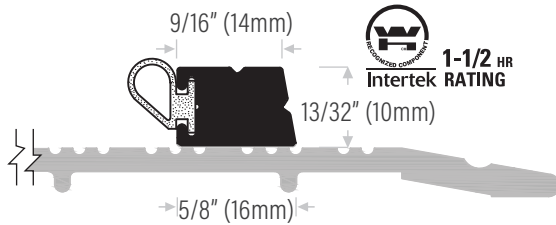


**DS800HA** Extruded aluminum heavy duty, mill finish or black anodized

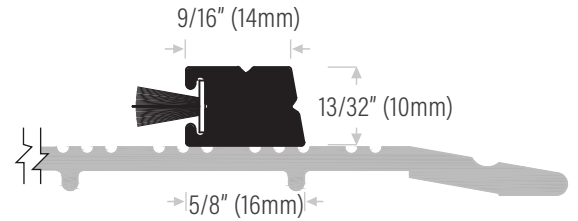


# THRESHOLDS

## Stop Strip (Threshold Applied)



**DS176AN**  
Replacement TPE  
(T) insert black, for  
DS176N

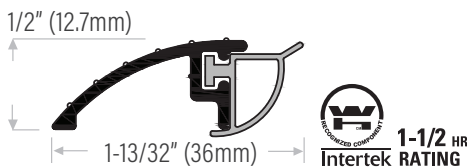


**DS176AP** Extruded aluminum mill finish with pile insert, grey, **not rated**. Threshold not included, order separately

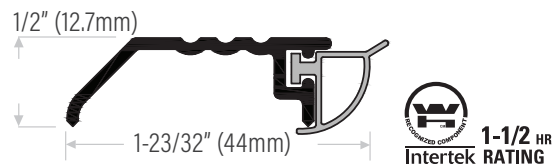
**DS176AN** Extruded aluminum mill finish with TPE (T) insert, black, rated (Threshold not included, order separately)

Bumper strip may be fastened to various DS thresholds to accommodate vertical rod panic hardware, where wide panic exit thresholds are required.

## Bumper Thresholds



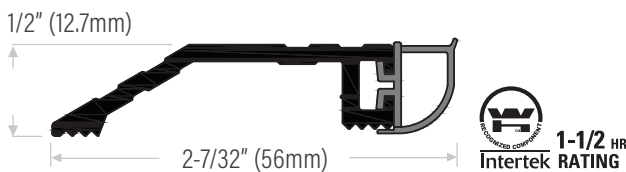
**DS121AV** Extruded aluminum mill finish with vinyl insert, grey  
**DS121AVBL** Mill finish with vinyl insert, black  
**DS121DVBL** Black anodized with black insert



**DS120AV** Extruded aluminum mill finish with vinyl insert, grey  
**DS120AVBL** Mill finish with black insert  
**DS120DVBL** Black anodized with black insert



**DSV20GREY**  
Replacement vinyl insert, grey  
for DS120, DS121 & DS121  
**DSV20BL** Black



**DS222AV** Extruded aluminum mill finish with vinyl insert, grey  
**DS222DV** Black anodized



**DS333AV** Extruded aluminum mill finish with vinyl insert, grey  
**DS333DV** Black anodized



**DS444AV** Extruded aluminum mill finish with vinyl insert, grey  
**DS444DV** Black anodized



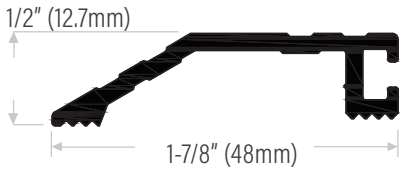
**DSV22GREY**  
Replacement vinyl insert, grey  
for DS222V, DS333V & DS444V

Thresholds on this page are supplied with punched countersunk holes with screws and plugs and are only available in the following NET lengths (except as noted):

36-1/2"	927mm
49"	1245mm
73"	1854mm
110"	2794mm
147"	3734mm

# THRESHOLDS

## Half Thresholds



**DS222A** Extruded aluminum mill finish  
**DS222D** Black anodized



**DS333A** Extruded aluminum mill finish  
**DS333D** Black anodized



Half thresholds on this page are supplied with punched countersunk holes with screws and plugs and are only available in the following NET lengths (except as noted):

36-1/2"	927mm
49"	1245mm
73"	1854mm
110"	2794mm
147"	3734mm



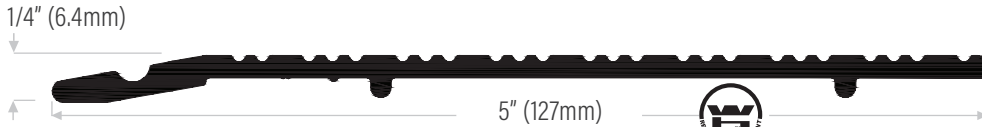
**DS444A** Extruded aluminum mill finish  
**DS444D** Black anodized



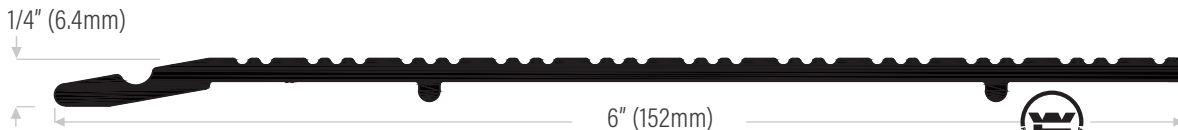
# THRESHOLDS

**Low Rise Half Thresholds** NOTE: Thresholds on this page are non-returnable. Manufacturing time required for bronze anodized finish.

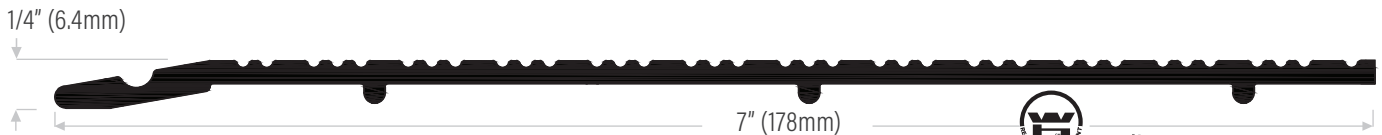
Thresholds on this page are supplied with punched countersunk holes with screws and plugs and are only available in these NET lengths (except as noted): 36-1/2" (927mm), 110" (2794mm), 49" (1245mm), 147" (3734mm) & 73" (1854mm)



**DS5555A** Extruded aluminum mill finish  
**DS5555D** Black anodized



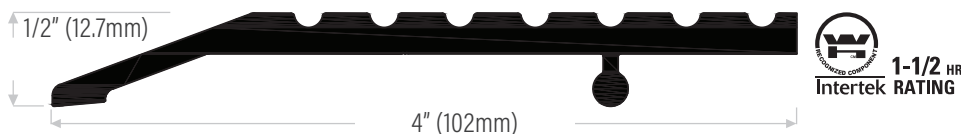
**DS6666A** Extruded aluminum mill finish  
**DS6666D** Black anodized



**DS7777A** Extruded aluminum mill finish  
**DS7777D** Black anodized



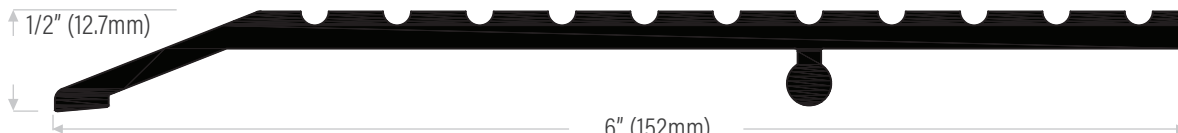
## Heavy Duty Half Thresholds



**DS444HA** Extruded aluminum heavy duty, mill finish or black anodized



**DS555HA** Extruded aluminum heavy duty, mill finish or black anodized



**DS666HA** Extruded aluminum heavy duty, mill finish or black anodized

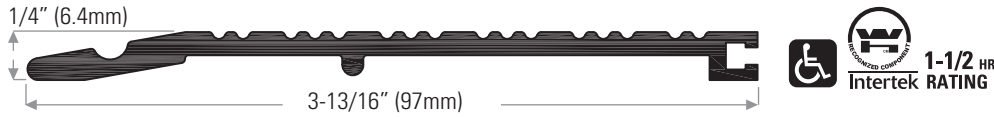


**DS777HA** Extruded aluminum heavy duty, mill finish or black anodized

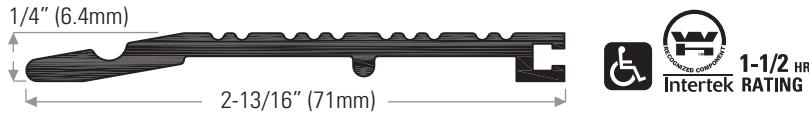


# THRESHOLDS

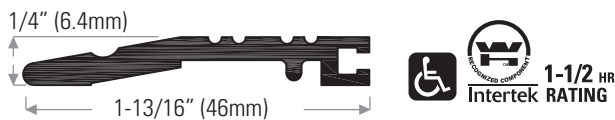
## Low Rise Half Thresholds / Components



**DS4440A** Extruded aluminum mill finish or black anodized



**DS3330A** Extruded aluminum mill finish or black anodized

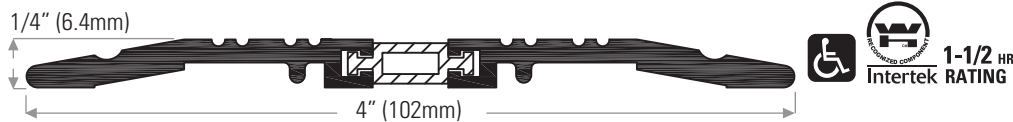


**DS2220A** Extruded aluminum mill finish or black anodized

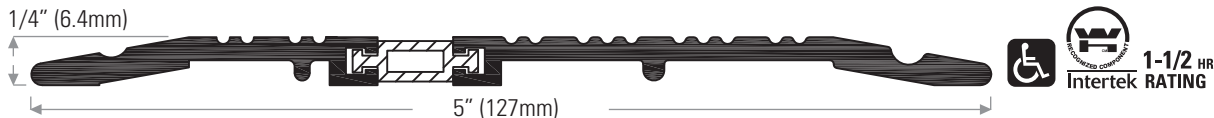
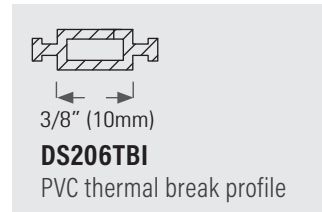


**DS2002A** Extruded aluminum mill finish or black anodized

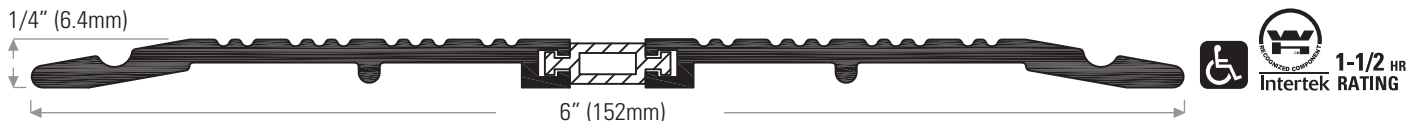
## Thermally Broken 1/4" (6.4mm) Low Rise Thresholds



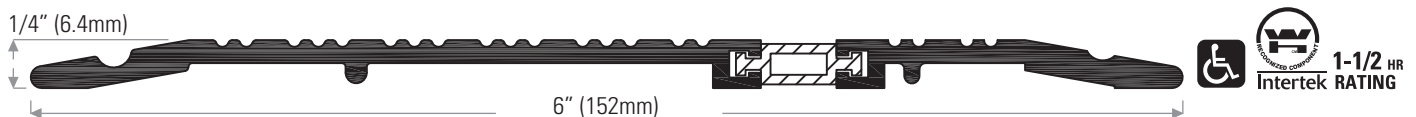
**DS4001TBA** Extruded aluminum mill finish or black anodized, thermally broken



**DS5001TBA** Extruded aluminum mill finish or black anodized, thermally broken



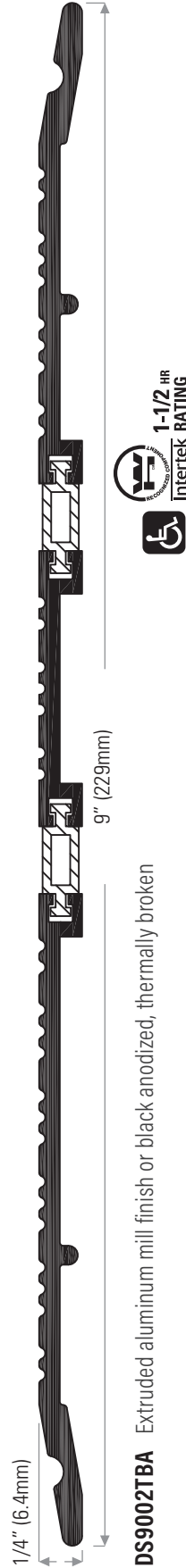
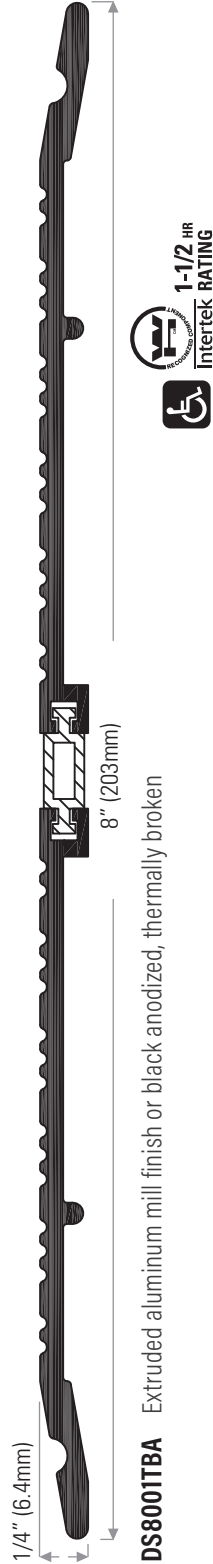
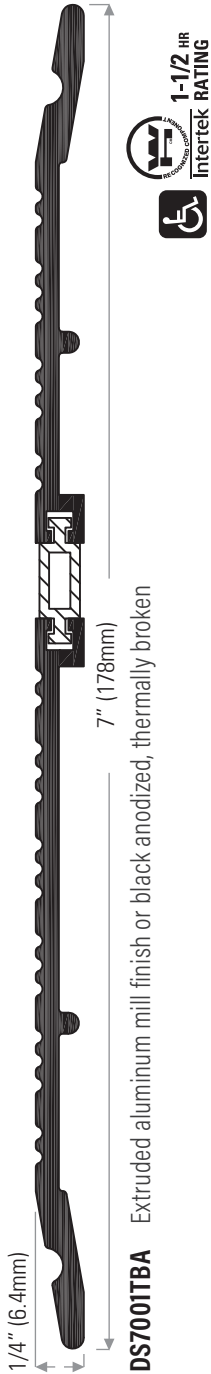
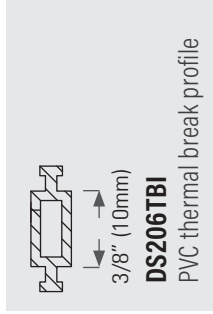
**DS6001TBA** Extruded aluminum mill finish or black anodized, thermally broken



**DS6002TBA** Extruded aluminum mill finish or black anodized, thermally broken


# THRESHOLDS

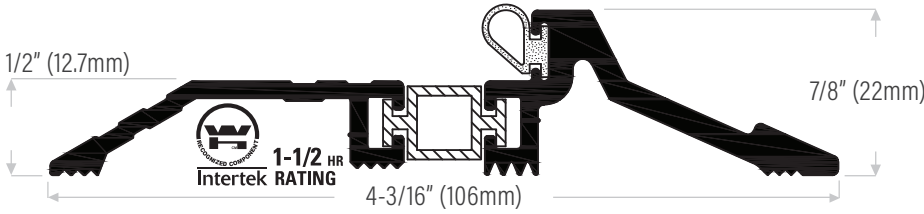
## Thermally Broken 1/4" (6.4mm) Low Rise Thresholds



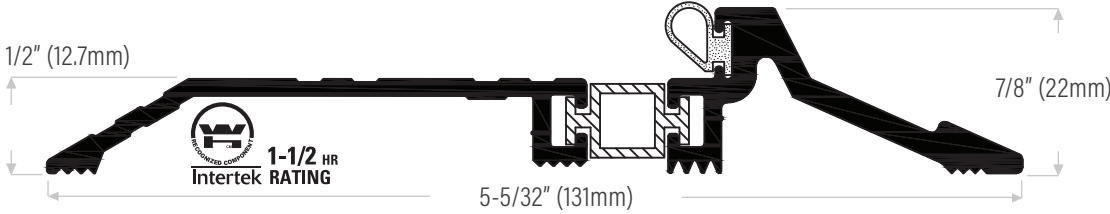
# THRESHOLDS

## Latching Panic Exit, Thermally Broken (TB) Thresholds

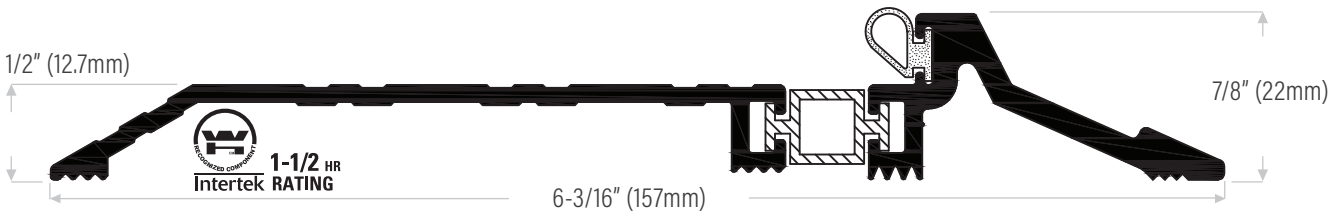
 **DST17BL**  
Replacement  
TPE (T) insert,  
black



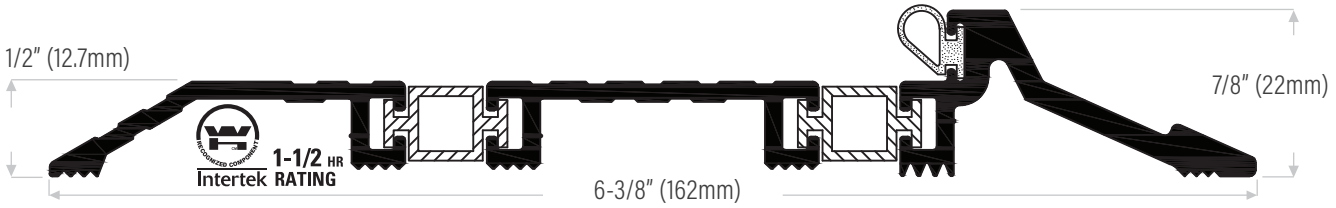
**DS177X4TBAT** Mill finish or black anodized with vinyl thermal break & TPE (T) insert, black (rated)



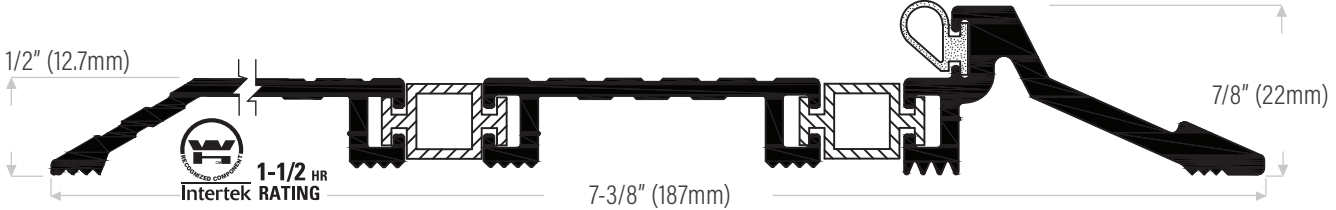
**DS177X5TBAT** Mill finish or black anodized with vinyl thermal break & TPE (T) insert, black (rated)



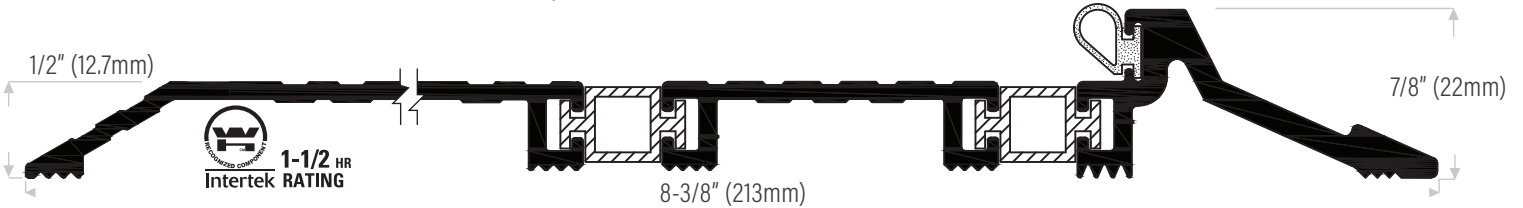
**DS177X6TBAT** Mill finish or black anodized with vinyl thermal break & TPE (T) insert, black (rated)



**DS277X6TBAT** Mill finish or black anodized with vinyl thermal break & TPE (T) insert, black (rated)



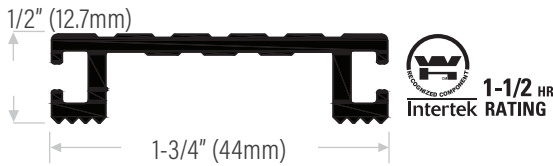
**DS277X7TBAT** Mill finish or black anodized with vinyl thermal break & TPE (T) insert, black (rated)



**DS277X8TBAT** Mill finish or black anodized with vinyl thermal break & TPE (T) insert, black (rated)

# THRESHOLDS

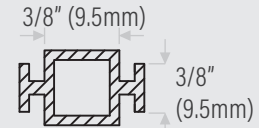
## Thermally Broken Threshold Components



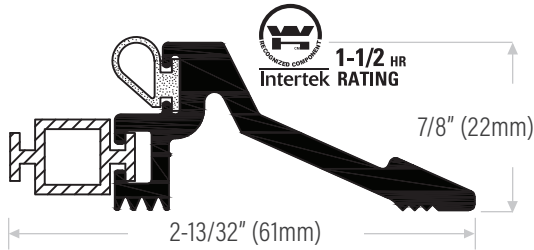
**DS201A** Extruded aluminum mill finish  
**DS201D** Black anodized



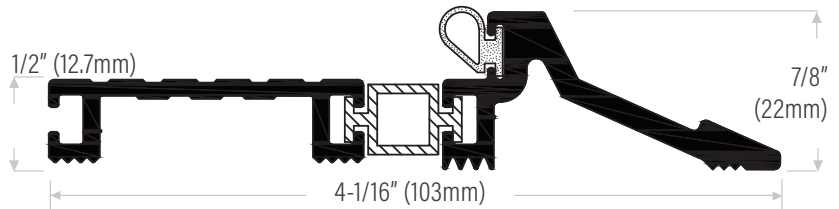
**DS202TBA** Extruded aluminum mill finish or black anodized with thermal break insert



**DS205TBI** Extruded rigid pvc vinyl insert, grey, for thermally broken thresholds



**DS275TBA** Extruded aluminum mill finish or black anodized with vinyl thermal break insert & TPE (T) insert



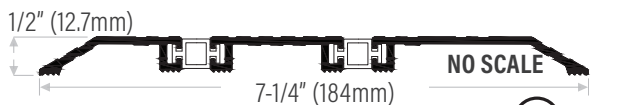
**DS276TBA** Extruded aluminum mill finish or black anodized with vinyl thermal break insert & TPE (T) insert

## Thermally Broken Thresholds



**DS603TBA** Extruded aluminum mill finish or black anodized with 2 thermal breaks

**NOTE:** By adding multiples of **DS202TBA**, wider thresholds may be achieved, consult factory. By adding **DS275TBA** (Panic Stop), wider Panic Thresholds may be achieved, consult factory.



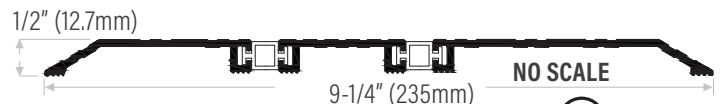
**DS703TBA** Extruded aluminum mill finish or black anodized with 2 thermal breaks, 7-1/4" (184mm) wide



**DS803TBA** Extruded aluminum mill finish or black anodized with 2 thermal breaks, 8-1/4" (209mm) wide



**DS804TBA** Extruded aluminum mill finish with 2 thermal breaks, 8-1/4" (209mm) wide  
**DS804TBD** Black anodized



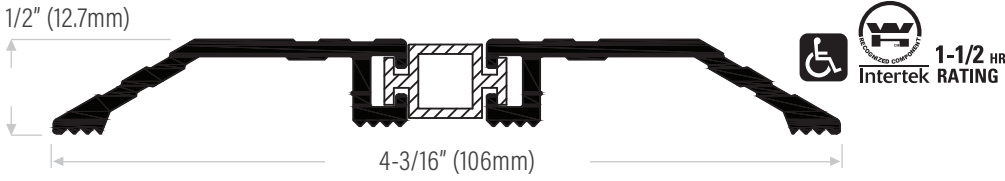
**DS903TBA** Extruded aluminum mill finish or black anodized with 2 thermal breaks, 9-1/4" (235mm) wide



**DS1003TBA** Extruded aluminum mill finish or black anodized with 2 thermal breaks, 10-1/4" (260mm) wide

# THRESHOLDS

## Thermally Broken Thresholds 1/2" (12.7mm) Rise

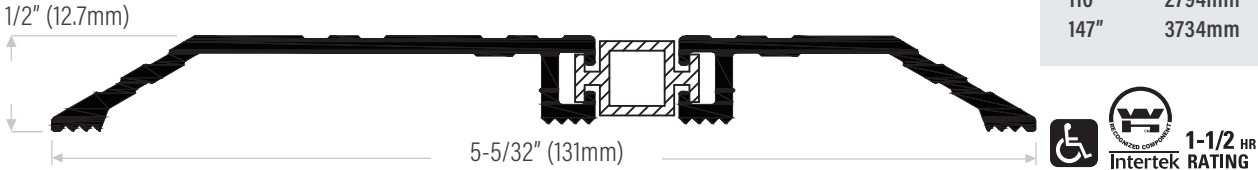


**DS401TBA** Extruded aluminum mill finish or black anodized with vinyl thermal break

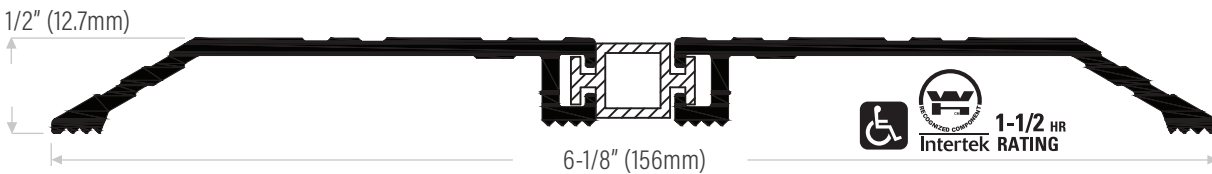


Thresholds on this page are supplied with countersunk holes with screws and plugs and are only available in the following NET lengths (except as noted):

36-1/2"	927mm
49"	1245mm
73"	1854mm
110"	2794mm
147"	3734mm



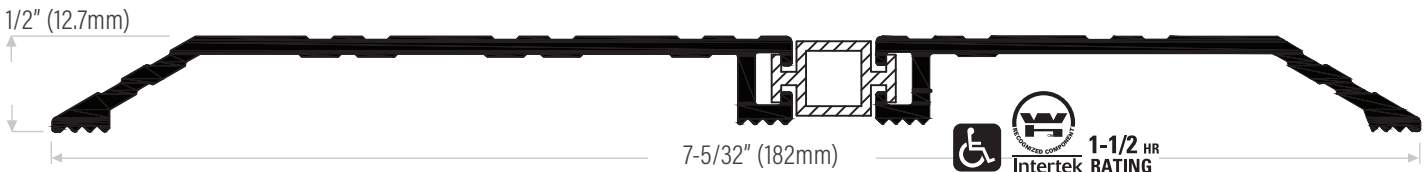
**DS501TBA** Extruded aluminum mill finish or black anodized with vinyl thermal break



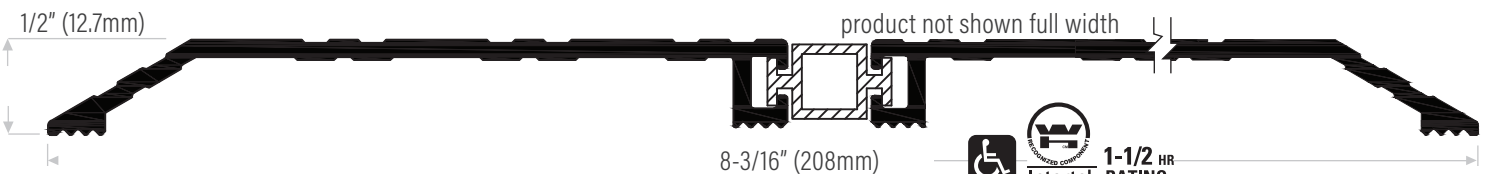
**DS601TBA** Extruded aluminum mill finish or black anodized with vinyl thermal break



**DS602TBA** Extruded aluminum mill finish or black anodized with vinyl thermal break



**DS701TBA** Extruded aluminum mill finish or black anodized with vinyl thermal break



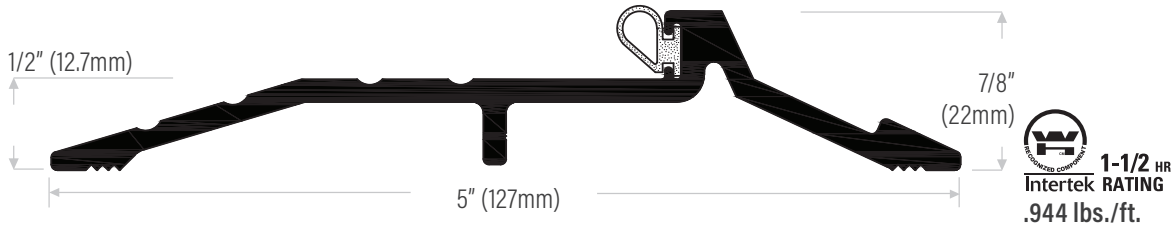
**DS801TBA** Extruded aluminum mill finish or black anodized with vinyl thermal break



# THRESHOLDS

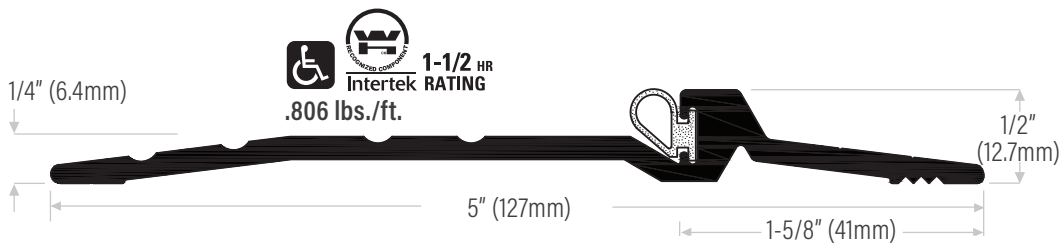
## Latching Panic Exit Thresholds

 **DST17BL** Replacement TPE (T) insert black, for DS177 & DS178



**DS177AT** Mill finish with TPE (T) insert, black (rated)

**DS177DT** Black anodized with TPE (T) insert, black (rated)

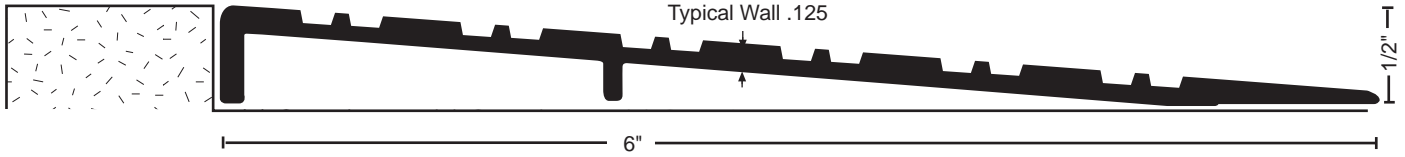


**DS178AT** Mill finish with TPE (T) insert, black (rated)

**DS178DT** Black anodized with TPE (T) insert, black (rated)

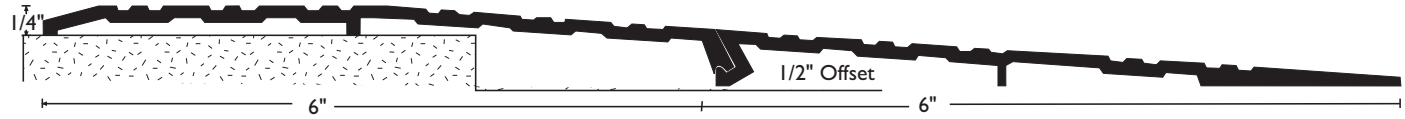
# THRESHOLDS

## Ramp Thresholds



**657A** Extruded aluminum mill finish  
**Note: Max Length 8'**

Not to scale



**R050** Extruded aluminum (2 piece ramp joined)  
**Note: Max Length 8'**

## Flat Thresholds, Stainless Steel (Custom order, manufacturing time)

Available in 304 stainless steel 14 gauge with a #4 brushed finish. Drawings showing sizes, end notch outs & mounting holes (if needed) are required with order.



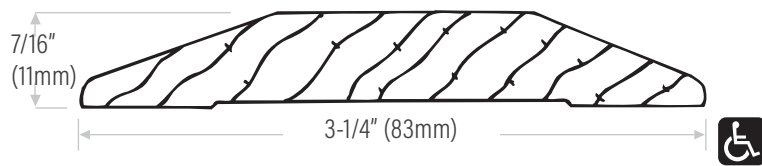
**\*Special Order Only**  
**4-6 weeks**

# THRESHOLDS

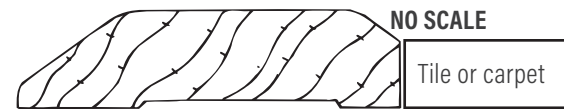
## Oak Thresholds

**ALL OAK PROFILES SHOWN ON THIS PAGE CAN BE RIPPED FOR CUSTOM APPLICATIONS.**

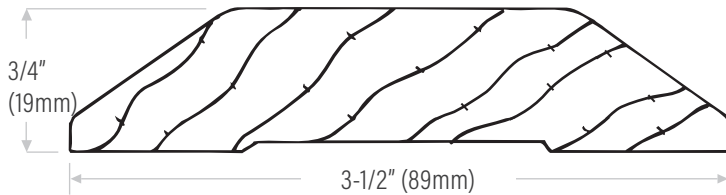
#10 Antique Bronze plated Robertson flat head wood screws & plastic anchors of appropriate length are supplied with all DraftSeal oak thresholds. All oak thresholds are supplied not drilled unless drilling instructions are specified with order.



**DS3510AK** Oak threshold

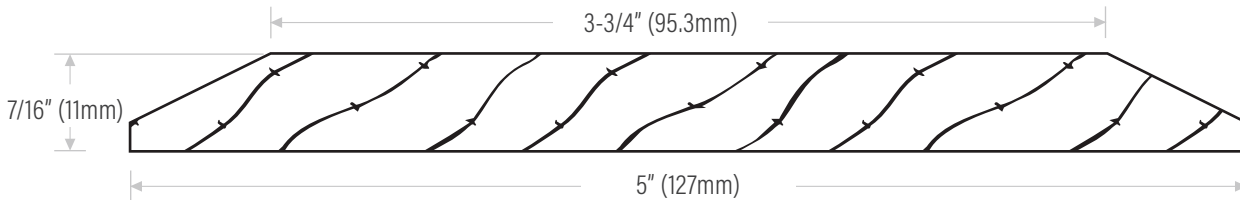


Oak threshold can be ripped down to accommodate tile or carpet height



**DS3530AK** Oak threshold

**\*Special Order Only (4-6 Weeks Lead Time)**



**DS25000AK36** Oak threshold (36.5" long)

**DS25000AK108** Oak threshold (110" long)

**\*Special Order Only (4-6 Weeks Lead Time)**

# THRESHOLDS

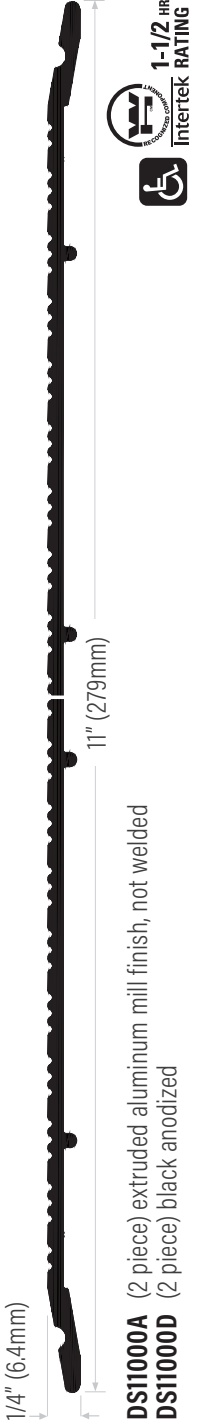
## Low Rise Extra Wide Thresholds

**NOTE:** Thresholds on this page are non-returnable. Manufacturing time required for black anodized finish. Black anodized only available up to 12 ft (3658mm). Drawings are not to scale.

 **1-1/2 HR RATING**  
  
 1.5802 lbs./ft.  
 (2.351 kg/m)



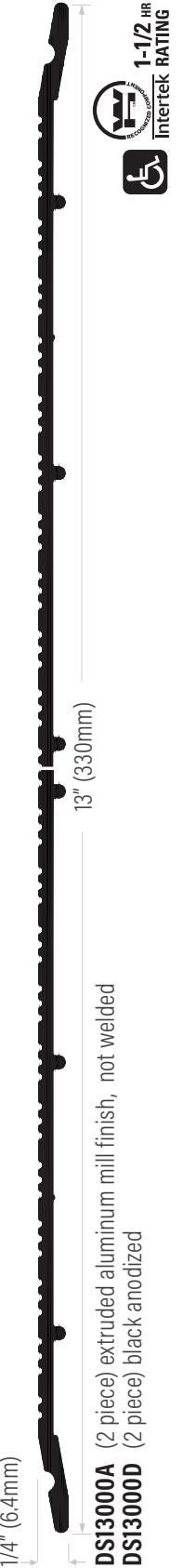
**DS10000A** (1 piece) extruded aluminum mill finish  
**DS10000D** (1 piece) black anodized



**DS11000A** (2 piece) extruded aluminum mill finish, not welded  
**DS11000D** (2 piece) black anodized



**DS12000A** (2 piece) extruded aluminum mill finish, not welded  
**DS12000D** (2 piece) black anodized



**DS13000A** (2 piece) extruded aluminum mill finish, not welded  
**DS13000D** (2 piece) black anodized



**DS14000A** (2 piece) extruded aluminum mill finish, not welded  
**DS14000D** (2 piece) black anodized

**DS2648**   
 PVC protective tape, apply to any sill or threshold. Purchase by roll. 4" (101mm), 6" (154mm), 8" (203mm), 12" (304mm) widths.

Wide thresholds on this page 9" to 14" (229 to 356mm) are available in the following NET lengths:

36-1/2"	(927mm)
49"	(1245mm)
73"	(1854mm)
110"	(2794mm)
147"	(3734mm)

Extra wide thresholds are standard punched or drilled unless otherwise specified.

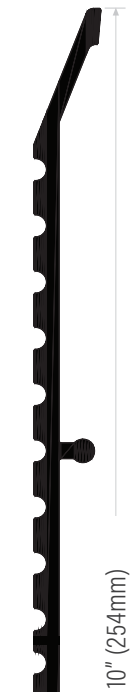
 **1-1/2 HR RATING**  


# THRESHOLDS

## Extra Wide Heavy Duty (H) Thresholds

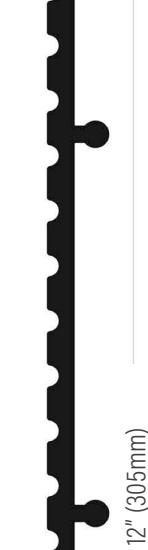
NOTE: Drawings are not to scale.

 **1-1/2 HR**  
Intertek RATING  
 1,966 lbs./ft. (2,925 kg/m)



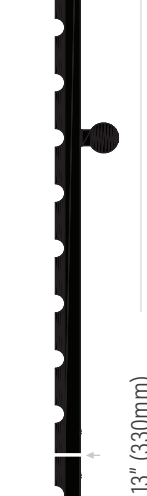
**DS1000HA** (1 piece) extruded aluminum mill finish  
**DS1000HD** (1 piece) black anodized

 **1-1/2 HR**  
Intertek RATING  





**DS1200HC** (1 piece) extruded aluminum clear anodized  
**DS1200HD** (1 piece) black anodized

 **1-1/2 HR**  
Intertek RATING  

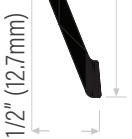
**DS1300HA** (2 piece) extruded aluminum mill finish, not welded  
**DS1300HD** (2 piece) black anodized

**DS2648**   
PVC protective tape, apply to any sill or threshold. Purchase by roll. 4" (101mm), 6" (154mm), 8" (203mm), 12" (304mm) widths.

Wide thresholds on this page 9" to 14" (229 to 356mm) are available in the following NET lengths:

- 36-1/2" (927mm)
- 49" (1245mm)
- 73" (1854mm)
- 110" (2794mm)
- 147" (3734mm)

Extra wide thresholds are standard punched or drilled unless otherwise specified.

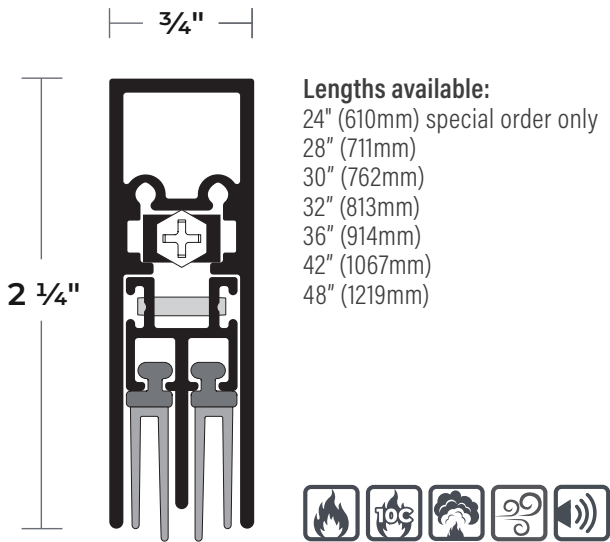


**DS1400HA** (2 piece) extruded aluminum mill finish, not welded  
**DS1400HD** (2 piece) black anodized

 **1-1/2 HR**  
Intertek RATING  


# AUTOMATIC DOOR BOTTOMS

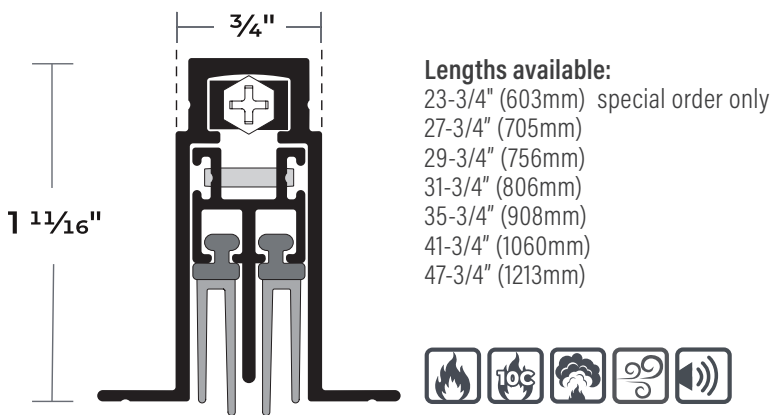
## Surface Mounted Application



- 420NA** Extruded aluminum clear anodized with neoprene insert, black
- 420NDKB** Bronze anodized, 36" & 48" only (914mm & 1219mm)

## Mortise Application

3/4" x 1 1/16" (24mm x 41.5mm)



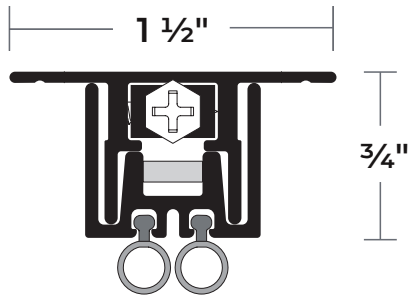
- 423NA** Extruded aluminum mill finish with neoprene insert, black. Available with lead insert for radiation shield. Specify "lead lined" custom order, call for manufacturing time.

Automatic Door Bottoms 12-18" can be cut down 1/2". ADBs 20" and over can be cut down up to 1 1/2".

# AUTOMATIC DOOR BOTTOMS

## Mortise Application for Metal Doors

hollow metal doors



### Lengths available:

- 24" (610mm) special order only
- 28" (711mm)
- 30" (762mm)
- 32" (813mm)
- 36" (914mm)
- 42" (1067mm)
- 48" (1219mm)

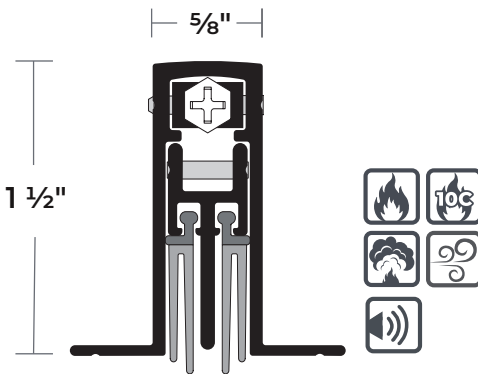


**320NA** Extruded aluminum mill finish with neoprene insert, black.

Fits in 1 5/8" x 3/4" (41mm x 19mm) bottom door channel & may be field cut (up to 1 1/2") in length to fit door. This unit has an adjusting screw to regulate amount of drop to 1/2" (12.7mm). A "furring strip" may be used to lower this automatic door bottom when a deeper channel is used. Units furnished 1/2" (12.7mm) shorter than ordered length in order to fit within net door size. Door Bottom lengths available from 24" (610mm) - 48" (1219mm). Fire ratings apply to metal doors only.

## Mortise Application

5/8" x 1-1/2" (16mm x 38mm)



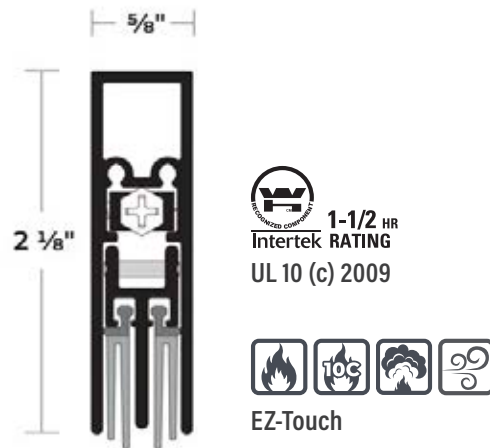
**335NA** Extruded aluminum anodized finish with neoprene insert, black

### Lengths available:

- 23-3/4" (603mm) special order only
- 27-3/4" (705mm)
- 29-3/4" (756mm)
- 31-3/4" (806mm)
- 35-3/4" (908mm)
- 41-3/4" (1060mm)
- 47-3/4" (1213mm)

## Surface Mounted Application

5/8" x 2 1/8" (15.9 x 54mm)

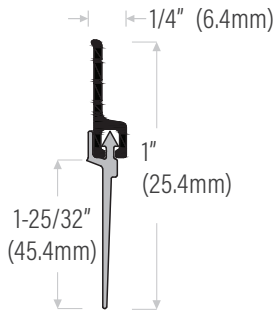


**222NA** Extruded aluminum clear anodized with neoprene insert, black  
**222NDKB** Bronze anodized with neoprene insert, black. Custom order, call for manufacturing time. 36" & 48" only (914mm & 1219mm)

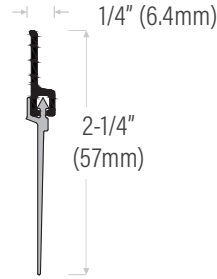
\* The **EZ-Touch** door bottom requires only 3 to 5 pounds of pressure to activate the drop bar mechanism. Light gauge materials have allowed us to perfect a door bottom suited for those applications when the pressure to close the door is critical. We've included the same proven technology used in all of our other automatic door bottoms. Accessibility requirements remind us of the necessity for everyone to be able to operate doors with ease. Our EZ-Touch door bottom meets that need & still provides an effective seal for any application. End caps furnished standard.

**Automatic Door Bottoms 12-18" can be cut down 1/2". ADBs 20" and over can be cut down up to 1 1/2".**

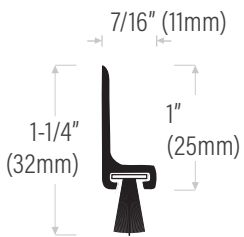
## DOOR BOTTOM SWEEPS



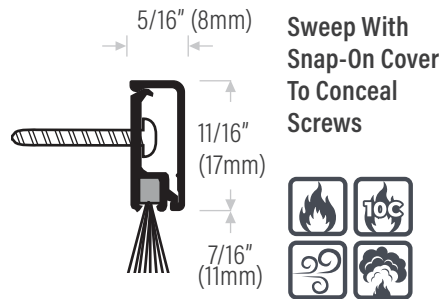
- DS140AV** Extruded aluminum mill finish with vinyl insert, grey
- DS140DV** Black anodized with black insert
- DS140WV** Painted white with grey insert
- DSV62BL** Replacement black insert



- DS156AV** Extruded aluminum mill finish with vinyl insert, grey
- DS156DV** Black anodized with grey insert
- DS156WV** Painted white with grey insert
- DSV56BL** Replacement black insert

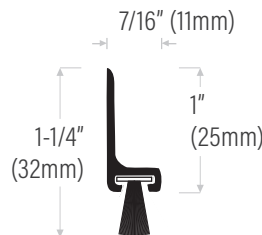
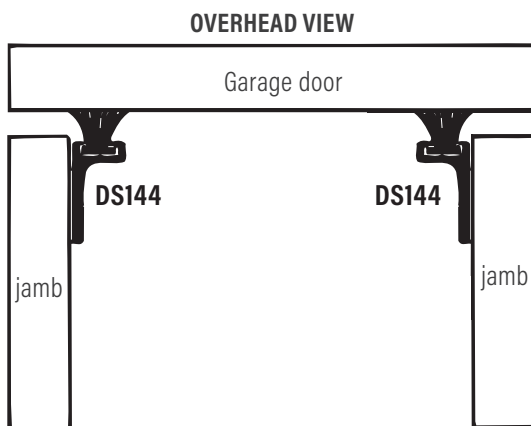


- DS144AP** Extruded aluminum mill finish with fin pile insert



- DS158C** Clear anodized
- DS158D** Black anodized
- DSBRUSH716BL** Replacement brush insert, black

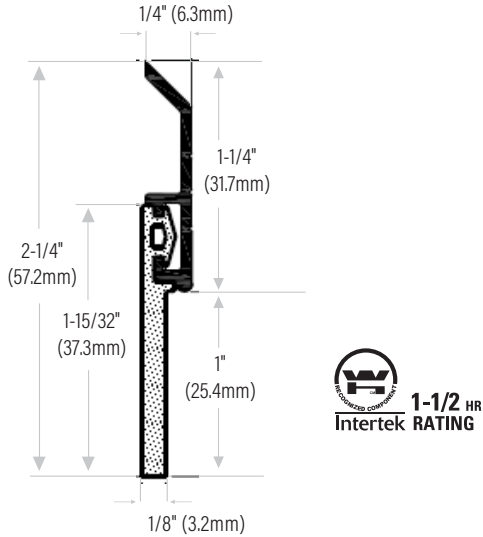
## WEATHERSEALS (OVERHEAD, SLIDING & GARAGE DOOR)



- DS144AP** Extruded aluminum mill finish with fin pile insert

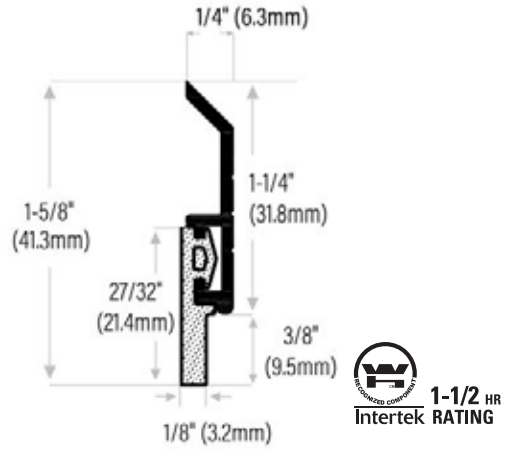
NO SCALE

# DOOR BOTTOM SWEEPS



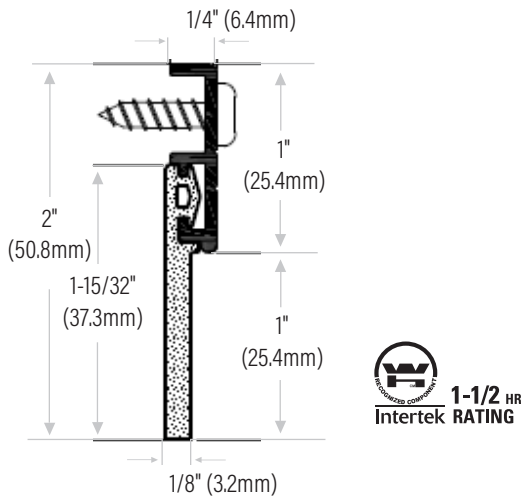
**1-1/2 HR**  
Intertek RATING

**DS138C-2** Extruded aluminum clear anodized with rubber insert, black, 1/8" x 2" (3.2mm x 51mm)  
**DS138D-2** Black anodized



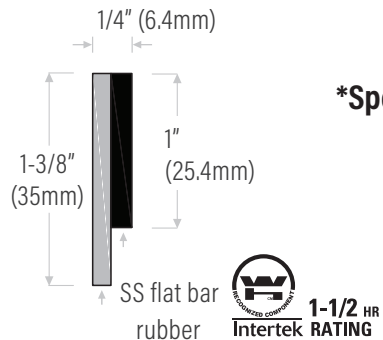
**1-1/2 HR**  
Intertek RATING

**DS138C** Extruded aluminum clear anodized with rubber insert, black, 1/8" x 1-3/8" (3.2mm x 35mm)  
**DS138D** Black anodized



**1-1/2 HR**  
Intertek RATING

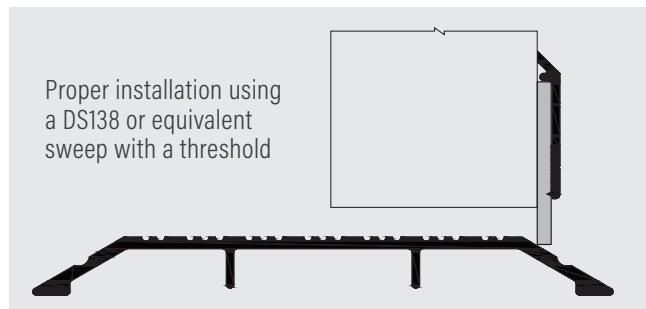
**DS136C** Extruded aluminum clear anodized with rubber insert, black, 1/8" x 1-3/8" (3.2mm x 35mm)  
**DS136DN** Black anodized



**\*Special Order Only**

**1-1/2 HR**  
Intertek RATING

**DS238SSN** Stainless steel with rubber insert, black



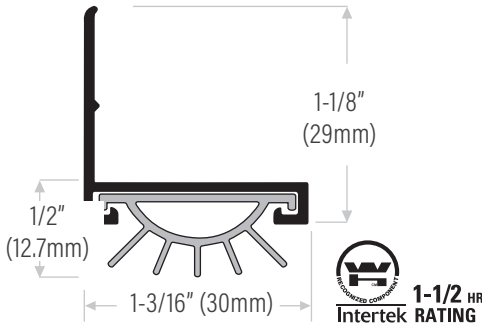
Proper installation using a DS138 or equivalent sweep with a threshold

Door bottom sweeps on this page are supplied with punched holes and screws and are only available in the following NET lengths:

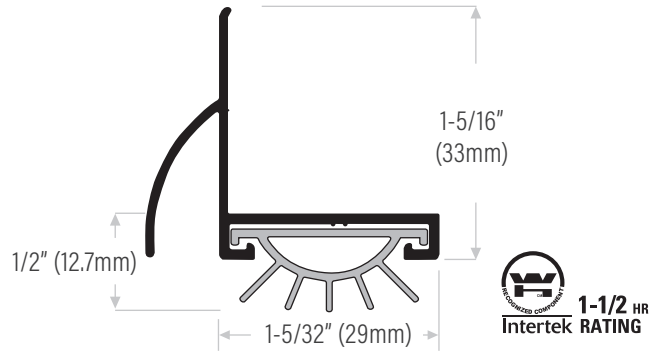
- 36" (914mm)
- 48" (1219mm)
- 84" (2134mm)
- 96" (2438mm)

# DOOR SHOES (ALUMINUM)

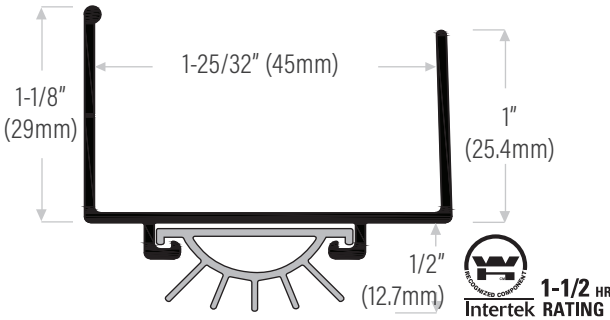
Door shoes on this page are supplied with punched holes and screws and are available in the following NET lengths: 36" (914mm) & 48" (1219mm). Custom lengths available, call for manufacturing time.



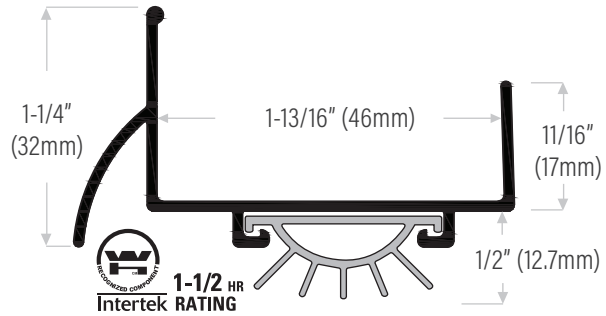
**DS211AT** Extruded aluminum mill finish with TPE (T) insert  
**DS211DT** Black anodized



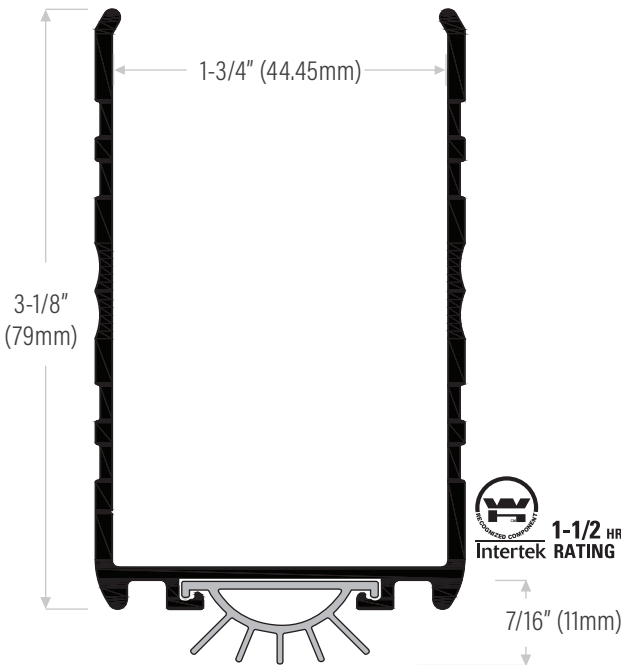
**DS210AT** Extruded aluminum mill finish with TPE (T) insert  
**DS210DT** Black anodized



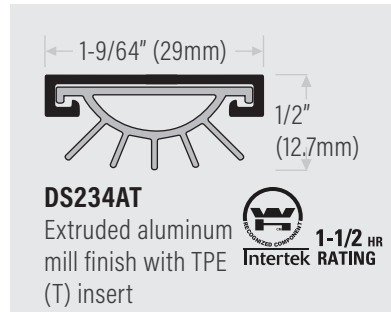
**DS217AT** Extruded aluminum mill finish with TPE (T) insert  
**DS217DT** Black anodized



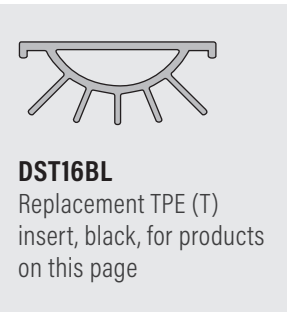
**DS216AT** Extruded aluminum mill finish with TPE (T) insert  
**DS216DT** Black anodized



**DS212AT** Extruded aluminum mill finish with TPE (T) insert  
**DS212DT** Black anodized

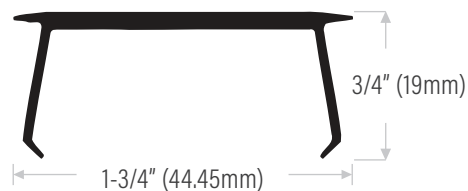


**DS234AT**  
 Extruded aluminum mill finish with TPE (T) insert



**DS16BL**  
 Replacement TPE (T) insert, black, for products on this page

## Door Top Cap For Hollow Metal Doors

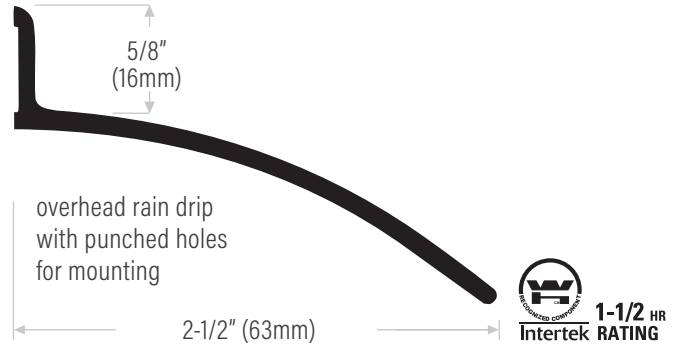


**DS388** Extruded rigid vinyl grey.  
 Length available: 9 ft. (2743mm) only

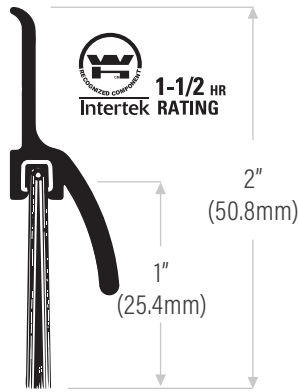
# RAIN DRIPS



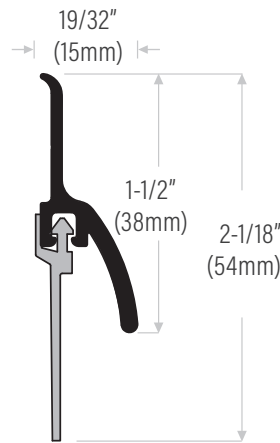
**DS164A** Extruded aluminum mill finish.  
Lengths available:  
36" (914mm) & 48" (1219mm)  
**DS164D** Black anodized



**DS166C42** Extruded aluminum clear anodized, 42" (1067mm) length  
**DS166C54** Clear anodized, 54" (1372mm) length  
**DS166C84** Clear anodized, 84" (2134mm) length  
**DS166C144** Clear anodized, 144" (4267mm) length



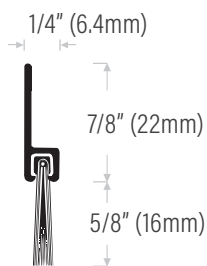
**DS161A** Extruded aluminum mill finish with nylon brush insert, black. Lengths available: 36" (914mm) & 48" (1219mm)  
**DS161D** Black anodized



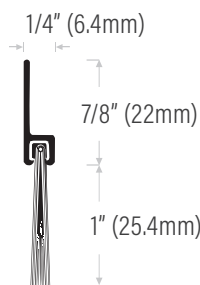
**DS162AV** Extruded aluminum mill finish with vinyl insert, grey. Lengths available: 36" (914mm) & 48" (1219mm)  
**DS162DV** Bronze anodized

## NYLON BRUSH (NB) DOOR BOTTOM SWEEPS - UBC 7-2 (1997) When Used As A Door Bottom Sweep Only

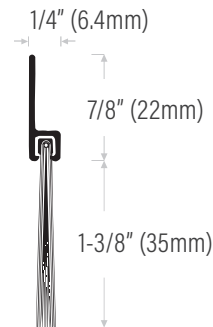
Lengths available: 36" (914mm), 48" (1219mm), 84" (2134mm) & 96" (2438mm).



**DS148C** Clear anodized with brush insert  
**DS148D** Black anodized




**DS149C** Clear anodized with brush insert  
**DS149D** Black anodized



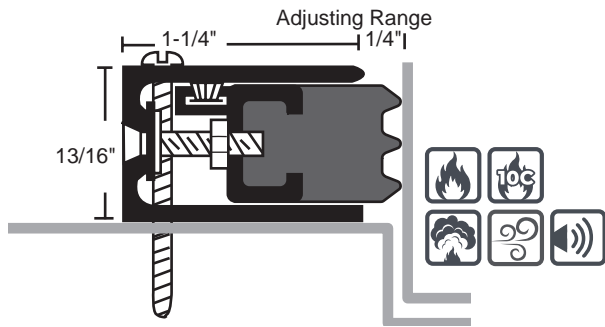
**DS150C** Clear anodized with brush insert  
**DS150D** Black anodized

# ADJUSTABLE-JAMB SOUND SEALS

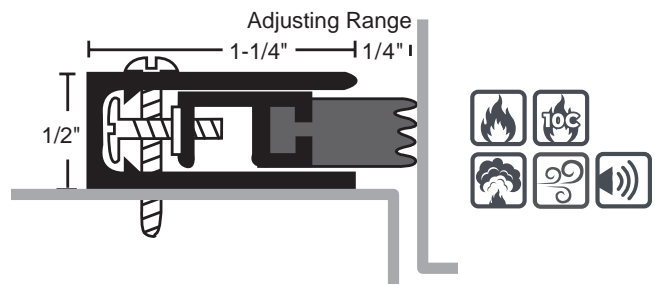
## Sound Transmission Class (STC) Rated Door Assemblies

STC RATING ON DOOR	STC RATING DOOR WITH GASKET	PERIMETER SEALS	AUTOMATIC DOOR BOTTOM
STC 30	30	103NA or 107NA	420NA 
STC 40	37	103NA or 107NA	420NA
STC 50	43	103NA	420NA

Weatherseals and sound seals on this page are supplied with punched holes and screws and are available in the following NET lengths / sets: 1/36" x 2/84" set (914 x 2134mm). Custom lengths available, call for manufacturing time.

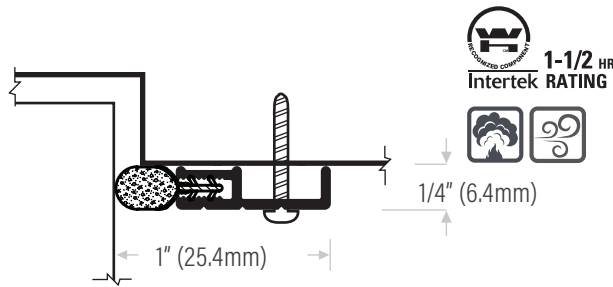


- 103NA** Extruded aluminum clear anodized with neoprene insert, black
- 103NA17** (36x84)    **103NA96** (96")
- 103NA20** (72x84)



- 107NA** Extruded aluminum clear anodized with neoprene insert, black
- 107NA17** (36x84)    **107NA20** (72x84)
- 107NA19** (36x96)    **107NA96** (96")

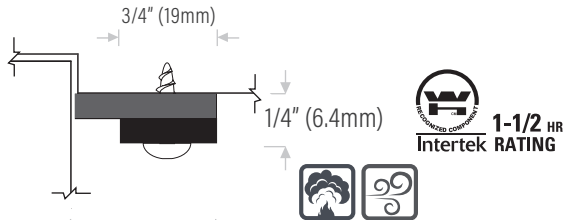
# DOOR WEATHERSEALING



- DS130CR** Extruded aluminum clear anodized with sponge neoprene insert
- DS130DR** Black anodized
- DS437BL** Replacement neoprene sponge insert, black, 1/4" x 1/2" (6.4mm x 12.7mm)

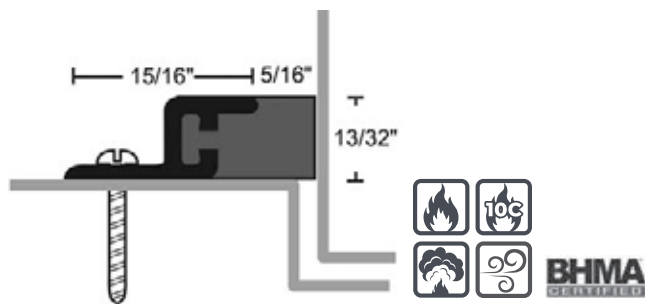
Weatherseals in this section are supplied with punched holes and screws and are only available in the following NET lengths:

- 1/3' x 2/7' set (914 x 2134mm)
- 1/3' x 2/8' set (914 x 2438 mm)
- 1/6' x 2/7' set (1829 x 2134mm)
- 3 x 8' set (2438mm)
- 1 x 14' length (4267mm)

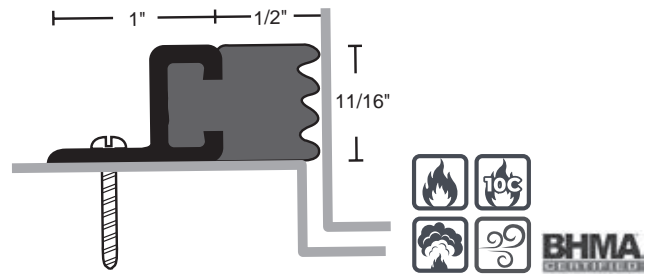


- DS243SSR** Stainless steel with sponge neoprene insert.
- DSR43BL** Replacement neoprene sponge insert, black 3/4" x 3/16" (19mm x 5mm) thick

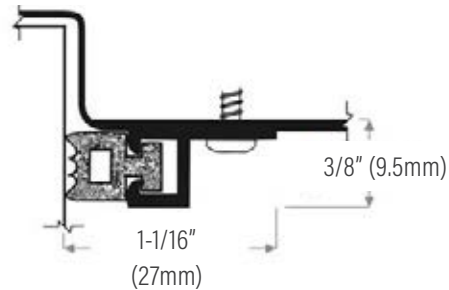
**\*Special Order Only**



- 122NA** Extruded aluminum clear anodized with neoprene insert, black
- 122NA17** (36x84)
- 122NA19** (36x96)

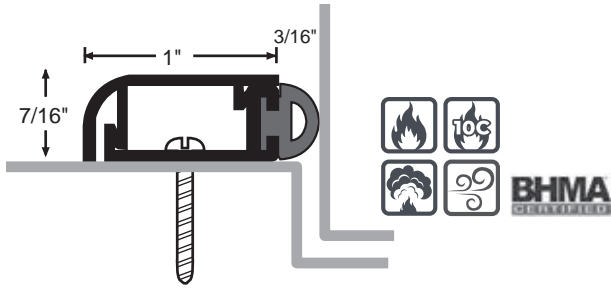


- 108NA** Extruded aluminum clear anodized with neoprene insert, black
- 108NA17** (36x84)
- 108NA19** (36x96)



- DS338CN** Clear anodized with neoprene insert, black
- DS338DN** Black anodized
- DSR38BLACK** Replacement neoprene insert, black

# DOOR WEATHERSEALING, HOLLOW BULB

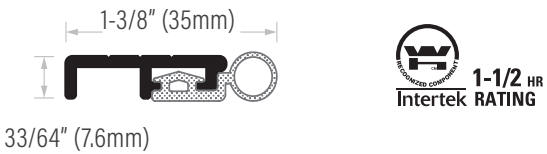


- 170SA** Extruded aluminum clear anodized with silicone insert, black
- 170SA17** (36x84)
- 170SA20** (72x84)

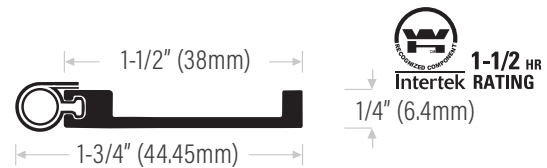
Weatherseals on this page are supplied with punched holes & screws and are available in the following NET lengths / sets:

- 1/3' x 2/7' set (914 x 2134mm)
- 1/3' x 2/8' set (914 x 2438 mm)
- 1/6' x 2/7' set (1829 x 2134mm)
- 3 x 8' set (2438mm)
- 1 x 14' length (4267mm)

Certain products are not available in all sizes listed, refer to price list.

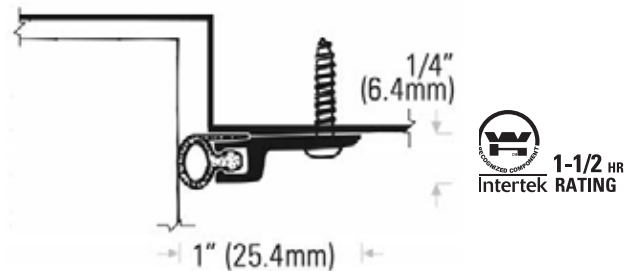


- DS133CT** Extruded aluminum clear anodized with TPE (T) insert, black
- DS133DT** Black anodized
- DST33BL** Replacement TPE (T) insert, black

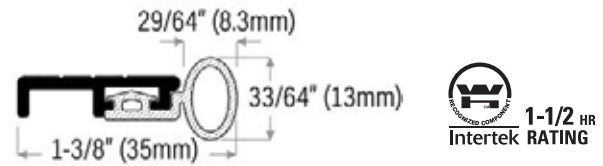


Perimeter seal compatible with parallel arm closers

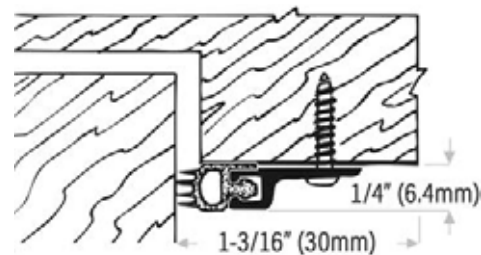
- DS118CT** Extruded aluminum clear anodized with TPE (T) insert
- DS118DT** Black anodized
- DST03BL** Replacement TPE (T) insert, black.



- DS103AT** Extruded aluminum mill finish with TPE (T) insert
- DS103DT** Black anodized
- DST03BL** Replacement TPE (T) insert, black



- DS141CT** Extruded aluminum clear anodized with TPE (T) insert, black



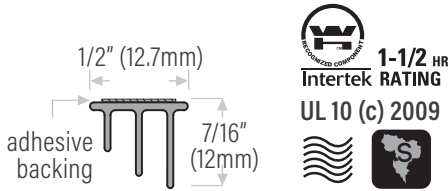
- DS104AV** Extruded aluminum mill finish with cold temp vinyl insert
- DS104D** Black anodized
- DS104WV** Painted white
- DSV04GREY** Replacement vinyl insert, grey



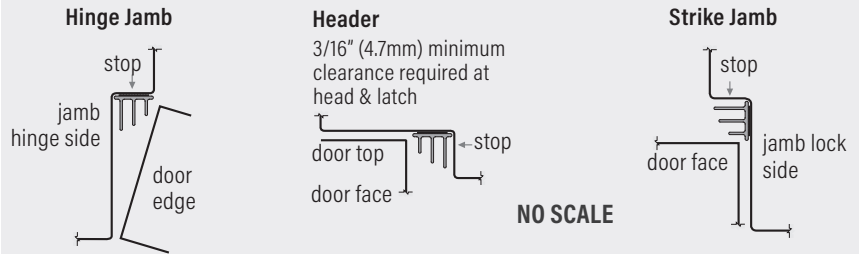
- DS100AT** Extruded aluminum mill finish with TPE (T) insert
- DS100DT** Black anodized
- DST00BL** Replacement TPE (T) insert, black

# ADHESIVE-BACKED GASKET SEALS

## Triple Fin Silicone Adhesive-Backed Fire Rated Gasketing



### DSS99 Application Details



- |   |  |                                       |
|---|--|---------------------------------------|
| <b>DSS99D3</b> bronze colour, 1/39" (5.18m) | <b>DSS99D8</b> bronze colour, 1/97" (93.2m)    | <b>DSS99D21</b> bronze colour, 3/7 ft |
| <b>DSS99D7</b> bronze colour, 1/87" (7.62m) | <b>DSS99D17</b> bronze colour, 1/3 ft x 2/7 ft | <b>DSS99D24</b> bronze colour, 3/8 ft |
|   | <b>DSS99D19</b> bronze colour, 1/3 ft x 2/8 ft |                                       |

## Silicone Adhesive-Backed Fire Rated Gasketing

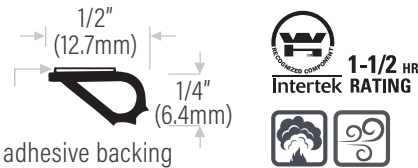
### For Wood Door & Metal Frame

This design is for those applications with very tight clearances from door edge to jamb & the pressure to close the door is critical.



- |                               |                                 |  |  |
|-------------------------------|---------------------------------|--|--|
| <b>Charcoal</b>               |                                 |  |  |
| <b>2525C17</b> 17 ft. (5.18m) | <b>2525C25</b> 25 ft. (7.62m)   |  |  |
| <b>2525C21</b> 21 ft. (6.40m) | <b>2525C300</b> 300 ft. (93.2m) |  |  |

### For Hollow Metal Door & Metal Frame



- |                                |                                  |  |  |
|--------------------------------|----------------------------------|--|--|
| <b>Bronze</b>                  |                                  |  |  |
| <b>DSS66D17</b> 17 ft. (5.18m) | <b>DSS66D25</b> 25 ft. (7.62m)   |  |  |
| <b>DSS66D21</b> 21 ft. (6.40m) | <b>DSS66D306</b> 306 ft. (93.2m) |  |  |

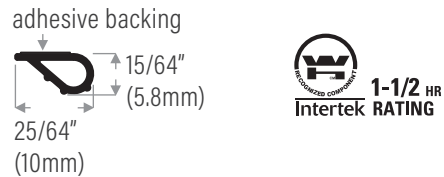


- |                                 |                               |              |  |
|---------------------------------|-------------------------------|--------------|--|
| <b>Charcoal</b>                 |                               | <b>Brown</b> |  |
| <b>5050C17</b> 17 ft. (5.18m)   | <b>5050B17</b> 17 ft. (5.18m) |              |  |
| <b>5050C21</b> 21 ft. (6.40m)   | <b>5050B21</b> 21 ft. (6.40m) |              |  |
| <b>5050C25</b> 25 ft. (7.62m)   | <b>5050B25</b> 25 ft. (7.62m) |              |  |
| <b>5050C300</b> 300 ft. (93.2m) |                               |              |  |
| <b>White</b>                    |                               |              |  |
| <b>5050W17</b> 17 ft. (5.18m)   |                               |              |  |
| <b>5050W21</b> 21 ft. (6.40m)   |                               |              |  |

## Santoprene Adhesive-Backed Gasketing

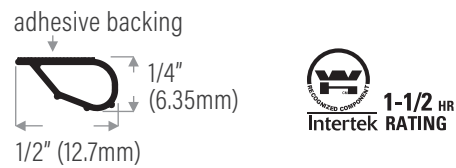
### For Wood Door & Metal Frame

This design is for those applications with very tight clearances from door edge to jamb & the pressure to close the door is critical.



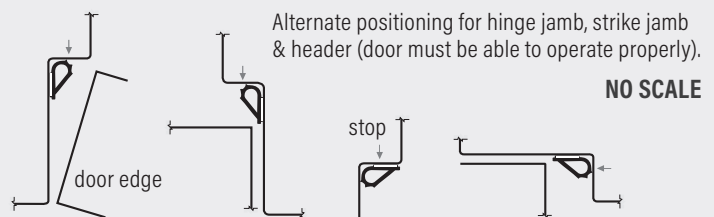
- |                               |                                   |  |  |
|-------------------------------|-----------------------------------|--|--|
| <b>Bronze</b>                 |                                   |  |  |
| <b>DS22D17</b> 17 ft. (5.18m) | <b>DS22D25</b> 25 ft. (7.62m)     |  |  |
| <b>DS22D21</b> 21 ft. (6.40m) | <b>DS22D515</b> 515 ft. (156.97m) |  |  |

### For Hollow Metal Door & Metal Frame



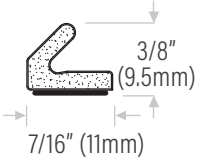
- |                                   |  |  |  |
|-----------------------------------|--|--|--|
| <b>Bronze</b>                     |  |  |  |
| <b>DS77D17</b> 17 ft. (5.18m)     |  |  |  |
| <b>DS77D21</b> 21 ft. (6.40m)     |  |  |  |
| <b>DS77D25</b> 25 ft. (7.62m)     |  |  |  |
| <b>DS77D515</b> 515 ft. (156.97m) |  |  |  |

### 2525C, DSS66, 5050C, DS22 & DS77 Application Details

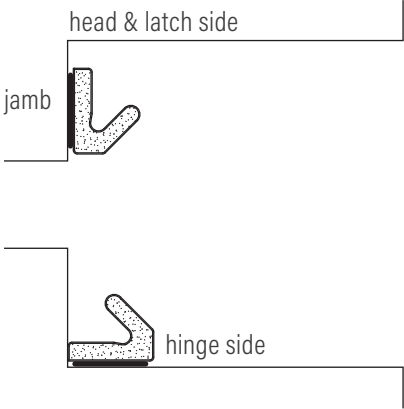


# ADHESIVE-BACKED JAMB SEALS

## Compression Seal, Adhesive-Backed



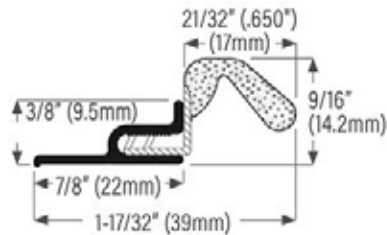
**DS415BL144** black, 144" (3658mm)



# RETROFIT DOOR WEATHERSEALING

## Superior Plus Weathersealing Door Kit

E-Lon® by Foam Tite®



**DS422D** Extruded aluminum black anodized with gasket insert

**DS422C** Clear anodized with black gasket insert

**DS422W** Painted white with white gasket insert

### Available in sets of

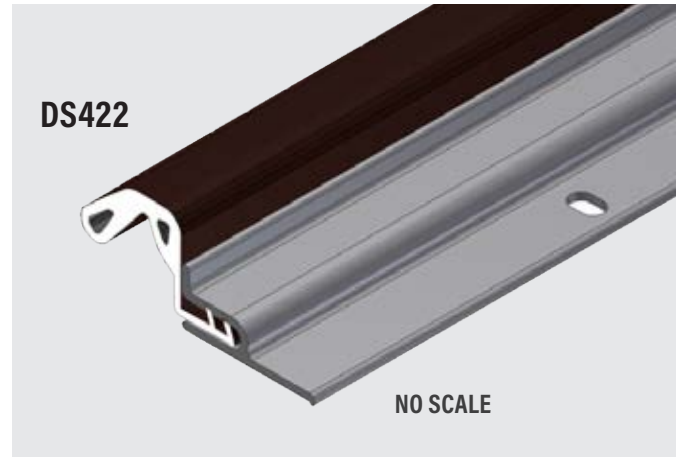
1/36" x 2/81" (914 x 2057mm) single door set

1/36" x 2/84" (914 x 2134mm) single door set

1/81" x 2/84" (2057 x 2134mm) double door set

### Advantages Of Foam-Tight Kerf Gasket

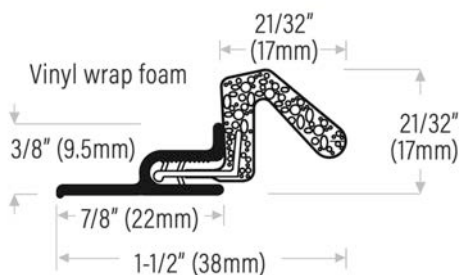
- » Closed cell foam structure: high resistance to water absorption & eliminates wicking.
- » Seamless elastomeric skin: provides long life, resilience, & durability. Puncture & tear resistant, outlasts & outperforms all other replacement weathersealing.
- » Superior resistance to compression set: operating forces remain constant over a wide compression range, helping doors exceed all industry requirements.
- » Performance: independent tests have shown foam-tight performs like new under all temperature.
- » Punched/slotted holes.
- » Plated screws supplied with white sets.
- » Antique bronze plated screws supplied with brown sets.
- » Foam-Tight gasket easily replaceable, pull out the old & push in the new.



### DS422

Extruded aluminum black anodized or white, with matching black or white foam-tight compression gasket. Also available clear anodized extrusion with black foam-tight compression gasket.

## Superior Weathersealing Door Kit



**DS424D16.5** Black anodized with black gasket, 1/36" x 2/81" (914 x 2057mm) single door set

**DS424D17** Black anodized with black gasket, 1/36" x 2/84" (914 x 2134mm) single door set

**DS424D20** Black anodized with black gasket, 1/81" x 2/84" (2057 x 2134mm) double door set

**DS424D96** Black anodized with black gasket, 1/96" (2438mm) one piece only

**DS424C16.5** Clear anodized with black gasket, 1/36" x 2/81" (914 x 2057mm) single door set

**DS424C17** Clear anodized with black gasket, 1/36" x 2/84" (914 x 2134mm) single door set

**DS424C20** Clear anodized with black gasket, 1/81" x 2/84" (2057 x 2134mm) double door set

**DS424C96** Clear anodized with black gasket, 1/96" (2438mm) one piece only

**DS424W16.5** Painted white with white gasket, 1/36" x 2/81" (914 x 2057mm) single door set

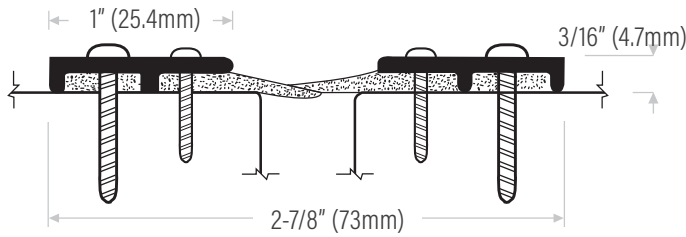
**DS424W17** Painted white with white gasket, 1/36" x 2/84" (914 x 2134mm) single door set

**DS424W20** Painted white with white gasket, 1/81" x 2/84" (2057 x 2134mm) double door set

**DS424W96** Painted white with white gasket, 1/96" (2438mm) one piece only

# MEETING STILES

Meeting stiles on this page are supplied with punched holes and screws and are available in the following NET lengths: 84" (2134mm) & 96" (2438mm). Custom lengths available, call for manufacturing time.



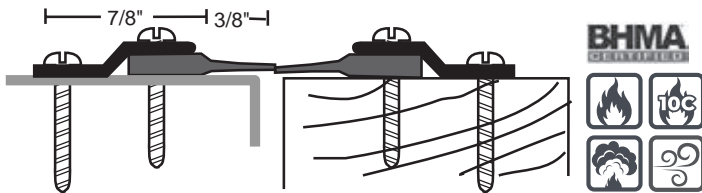
**DS137CT** Extruded aluminum clear anodized with TPE (T) insert. Sold in single units, order 2 lengths for meeting stile. Not rated for meeting stiles.

**DS137DT** Black anodized

**DST37BL** Replacement TPE (T) insert, black

## Smoke-Rated Astragal Sets

Fire-rated Astragal Seals cannot replace any astragal required on the door by the door manufacturer to maintain its fire label. IBC, NFPA 80, NFPA105, NFPA 252 require the gap at the meeting edge between fire labeled doors must not exceed 1/8".



**125NA** Extruded aluminum clear anodized with neoprene insert. Sold in single units, order 2 lengths for meeting stile.

**Clear Anodized**

**Black Anodized**

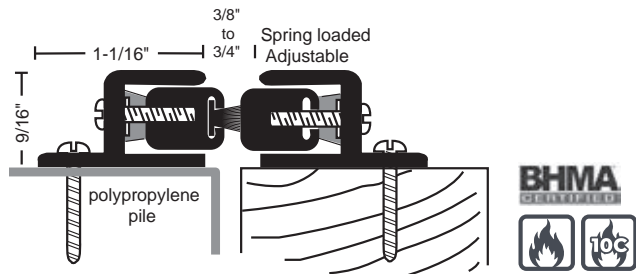
**125NA84** 84" (Set)

**125NDKB84** 84" (Set)

**125NA96** 96" (Set)

## Spring Adjustable Astragal Sets

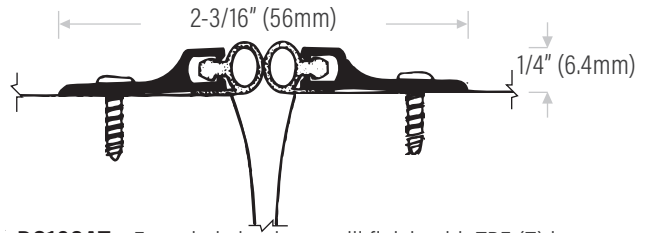
- Adjustment screws on 10" centers allow adjustment of the seal without re-positioning mounting location.
- Spring-loaded to maintain constant pressure for the most effective seal



**140PA** Extruded aluminum clear anodized with polypropylene insert. Sold in single units, order 2 lengths for meeting stile.

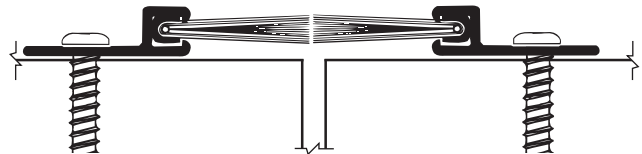
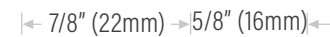
**140PA84** 84" (Set)

**140PA96** 96" (Set)



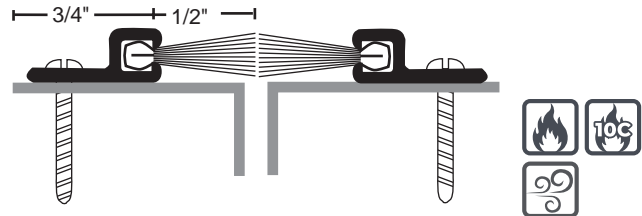
**DS103AT** Extruded aluminum mill finish with TPE (T) insert. Sold in single units, order 2 lengths for meeting stile. Not rated for meeting stiles.

**DS103DT** Black anodized



**DS148C** Extruded aluminum clear anodized with nylon brush insert. Sold in single units, order 2 lengths for meeting stile. Not rated for meeting stiles

**DS148D** Black anodized



**B606A** Clear anodized with nylon brush insert. Sold in single units, order 2 lengths for meeting stile.

**Clear Anodized**

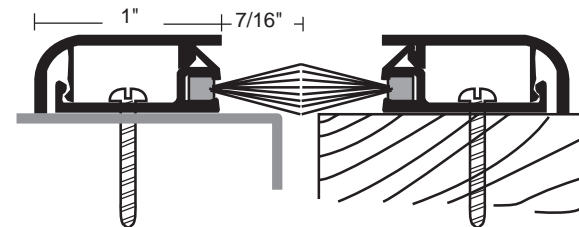
**Black Anodized**

**B606A84** 84" (Set)

**B606DKB84** 84" (Set)

**B606A96** 96" (Set)

**B606DKB96** 96" (Set)



**Snap-on cover to conceal screws**

**675A** Extruded aluminum clear anodized with nylon brush insert, grey. Sold in single units, order 2 lengths for meeting stile.

**Clear Anodized**

**Black Anodized**

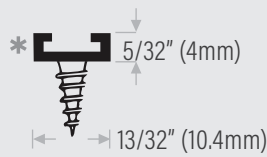
**675A84** 84" (Set)

**675DKB84** 84" (Set)

**675A96** 96" (Set)

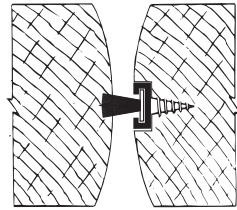
# MEETING STILES

## Extrusion Only, No Insert



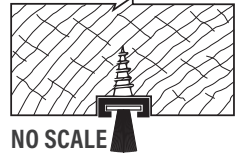
### DS369A

Extruded aluminum mill finish t-slot extrusion only (no insert) drilled & countersunk. Inserts with .270 (6.85mm) backing will fit this t-slot extrusion.



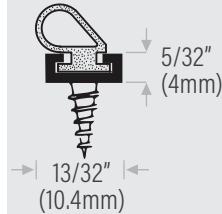
Meeting stile application

NO SCALE



Door bottom sweep application

NO SCALE



**DS369AT** Extruded aluminum mill finish with TPE (T) insert

**DS369DT** Black anodized

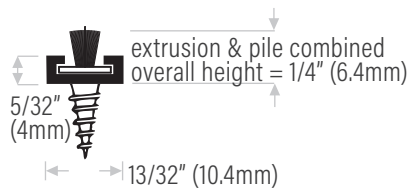


### DST17BL

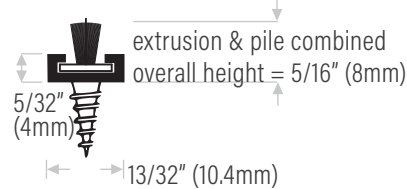
Replacement TPE (T) insert black, for DS369

## T-Slot Extrusion With Fin Pile Inserts (Choice of 6 overall heights).

Lengths available for DS369: 36" (914mm), 48" (1219mm), 84" (2134mm), 96" (2438mm) & 180" (4572mm)

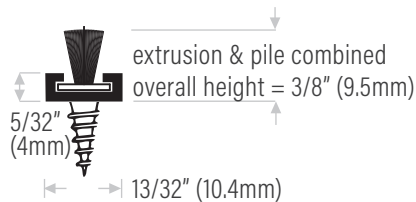


**DS369A7520G** Aluminum extrusion mill finish with fin pile insert, grey

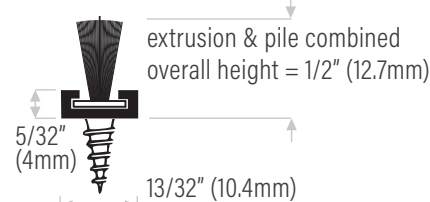


**DS369A7530G** Aluminum extrusion mill finish with fin pile insert, grey

**DS369A7130BL** Black pile, no fin



**DS369A7535G** Aluminum extrusion mill finish with fin pile insert, grey



**DS369A7545G** Aluminum extrusion mill finish with fin pile insert, grey

**DS369A7145BL** with fin pile insert, black

## Pile Weatherseal Insert Only

Polypropylene Pile, Fin & Backing

3/16" = 4.7mm

1/4" = 6.4mm

5/16" = 8mm

3/8" = 9.5mm

7/16" = 11mm

1/2" = 12.7mm

### Fin-Pile Only



Available in footage or full coils

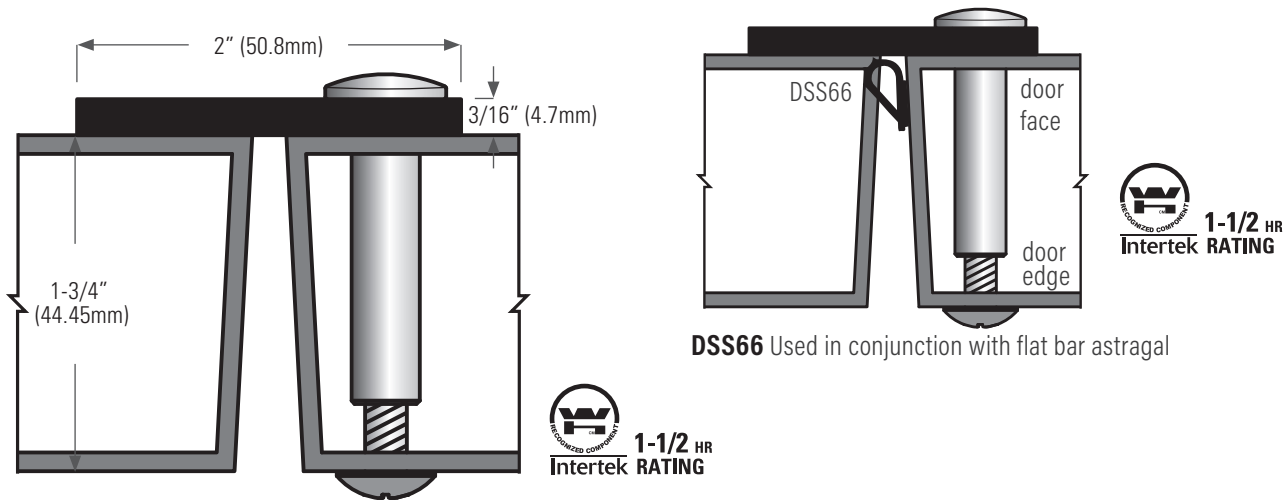
- \* **DS7520-270G** .270" wide backing - 3/16" grey pile height with fin
- \* **DS7530-270G** .270" wide backing - 1/4" grey pile height no fin
- \* **DS7530-250BL** .250" wide backing - 1/4" black pile height no fin
- \* **DS7130-270BL** .270" wide backing - 1/4" black pile height with fin
- \* **DS7535-270G** .270" wide backing - 5/16" grey pile height with fin
- \* **DS7545-270G** .270" wide backing - 7/16" grey pile height with fin
- \* **DS7145-270BL** .270" wide backing - 7/16" black pile height with fin
- \* **DS7620-187G** 3/16" wide backing - 3/16" grey pile height with fin

\* Product numbers marked with asterisk fit into **DS369A** T-Slot extrusion. See top of this page.

- » High performance pile with a solid center fin barrier provides maximum resistance to air, water & dust infiltration.
- » Recommended pile compression 10%.
- » Excellent performer in sliding applications.

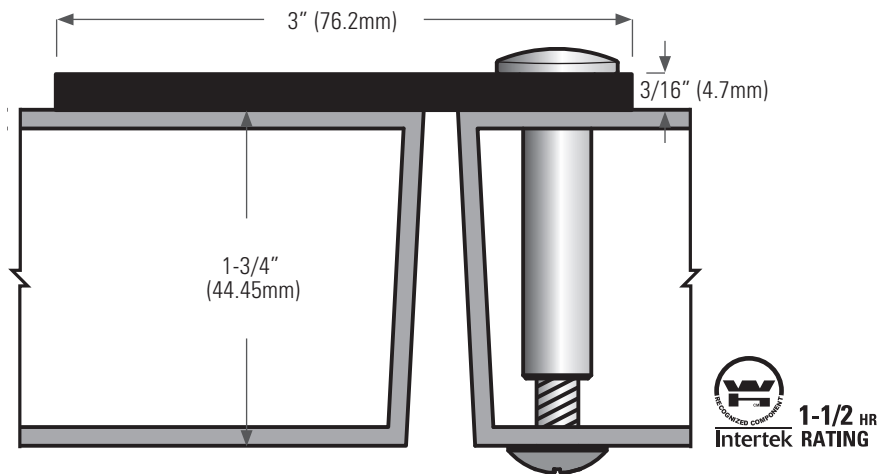
# ASTRAGALS (OVERLAPPING)

## Flat bar astragals, drilled (supplied with thru-bolts)

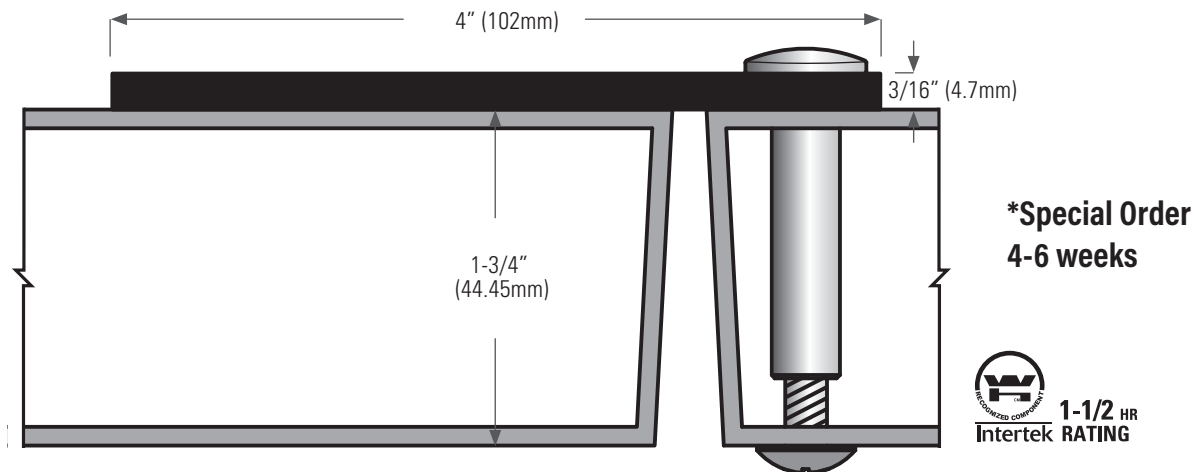


**DS184SSATIN** Flat bar, **STAINLESS STEEL**. Lengths available: 84" (2134mm), 96" (2438mm), 144" (3658mm)

**DS188-2PS** Flat bar, **STEEL** prime coated 2" (51mm) wide. Lengths available: 84" (2134mm), 96" (2438mm), 120" (3048mm)



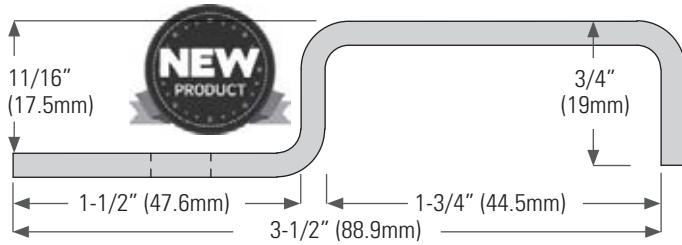
**DS188-3PS** Flat bar, steel prime coated 3" (76mm) wide. Lengths available: 84" (2134mm), 96" (2438mm), 108" (2743mm)



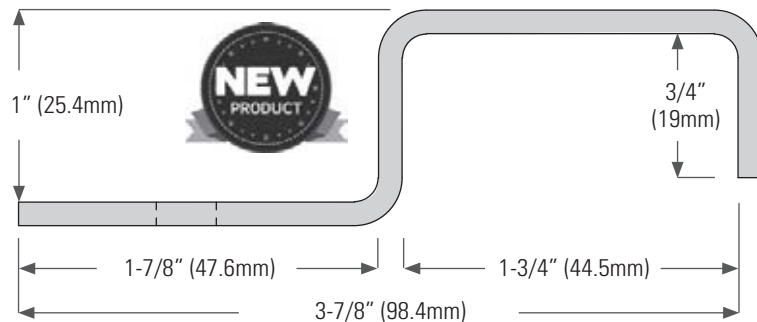
**DS188-4PS** Flat bar, steel prime coated 4" (102mm) wide. Any length up to 120" (3048mm) available. Custom order.

# HIGH SECURITY ASTRAGALS

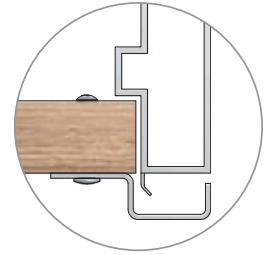
## Flat bar astragals, drilled (supplied with thru-bolts)



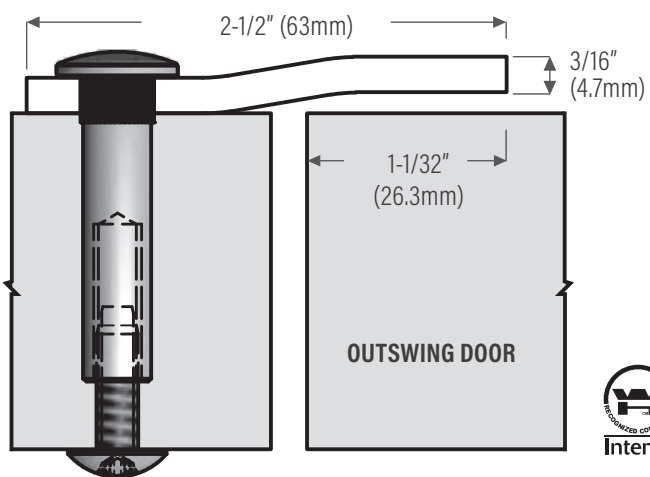
**DS186PS** Steel prime coated, custom. Lengths available 84" (2134mm)



**DS187PS** Steel prime coated, standard. Lengths available 84" (2134mm)



Continuous security latch protector, full height of door.

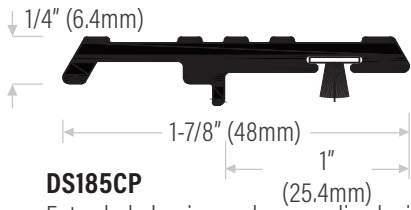


**DS179PS** Steel prime coated, pre-drilled. Lengths available: 80" (2032mm), 84" (2134mm), 96" (2438mm), 120" (3048mm)

# ASTRAGALS

## Flat & T-Bar

Lengths available for DS180, DS182 and DS185: 84" (2134mm), 96" (2438mm) & 120" (4572mm)



**DS185CP**  
Extruded aluminum clear anodized with pile insert  
**DS185DP**  
Black anodized



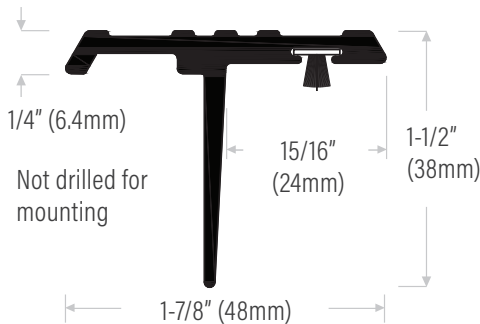
**DS7520-270G**  
Replacement Pile insert,  
grey for DS180 & DS185



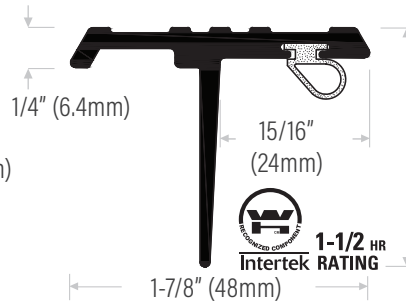
**DS185CT**  
Extruded aluminum clear anodized with TPE (T) insert  
**DS185DT**  
Black anodized



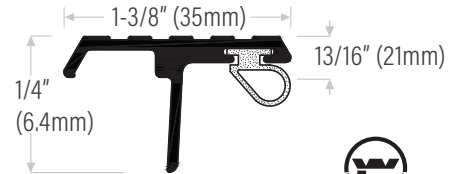
**DS17BL** Replacement  
TPE insert, black for  
DS180 & DS185



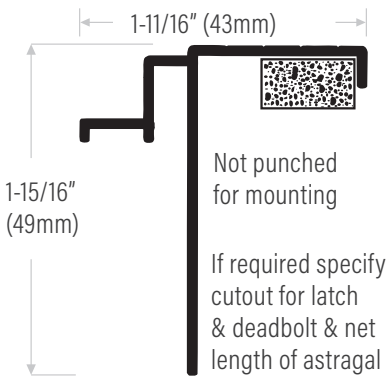
**DS180CP** Extruded aluminum clear anodized with pile insert



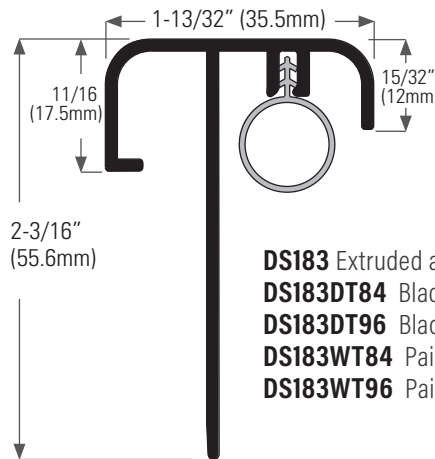
**DS180CT** Extruded aluminum clear anodized with TPE (T) insert



**DS182** Extruded aluminum clear anodized with TPE (T) insert  
**DS182CT84** Clear anodized 84" (2134mm)  
**DS182CT96** Clear anodized 96" (2438mm)  
**DS182DT84** Black anodized 84" (2134mm)  
**DS182DT96** Black anodized 96" (2438mm)



**DS181D** Black anodized with neoprene gasket.  
Lengths available: 84" (2134mm) & 96" (2438mm)  
**DS181W** Painted white

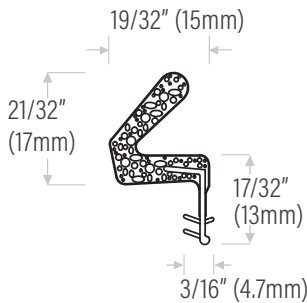


**DS183** Extruded aluminum with TPE (T) insert  
**DS183DT84** Black anodized 84" (2134mm)  
**DS183DT96** Black anodized 96" (2438mm)  
**DS183WT84** Painted white 84" (2134mm)  
**DS183WT96** Painted white 96" (2438mm)



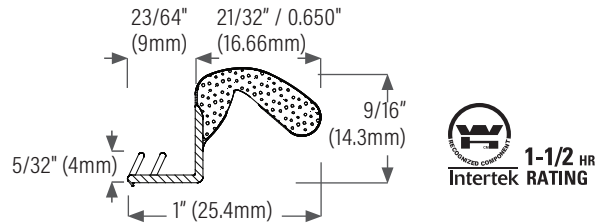
# WEATHERSEALING (KERF-INSERTED)

## DS434 Q-Foam Wrap Kerf Inserted Jamb Weatherseal



- DS434B81** Brown 81" (2057mm)
- DS434B97** Brown 97" (2464mm)
- DS434BL81** Black 81" (2057mm)
- DS434BL97** Black 97" (2464mm)
- DS434W81** White 81" (2057mm)
- DS434W97** White 97" (2464mm)

## E-Lon® .650 by Foam Tite® DS421 Kerf Inserted Jamb Weatherseal



- DS421BL**  
Black. Lengths: 82", 86", 97"  
Full coil: 500 ft. (152m) or custom size coil up to 500 ft.
- DS421B**  
Brown. Lengths: 86", 97"  
Full coil: 500 ft. (152m) or custom size coil up to 500 ft.
- DS421W**  
White. Lengths: 82", 86", 97"  
Full coil: 500 ft. (152m) or custom size coil up to 500 ft.



# MULTI-PURPOSE WEATHERSEAL TAPES

## Packaged Rolls



All adhesive backed tapes have a limited shelf life. These products must be used within 6 months of purchase & must be stored between 50° & 100° Fahrenheit (10° & 37.77° Celsius).

### Open Cell Polyurethane A/B Tapes

- DS831-50R** 3/16" thick x 3/8" wide x 50 ft. grey (4.7mm x 9.5mm x 5.02m)
- DS835-25R** 1/4" thick x 1/2" wide x 25 ft. grey (6.4mm x 12.7mm x 5.02m)
- DS837-20R** 3/8" thick x 3/8" wide x 20 ft. grey (9.5mm x 9.5mm x 5.02m)

### Neoprene Closed Cell Sponge A/B Tapes

- DS861-50R** 3/16" thick x 3/8" wide x 50 ft. black (4.7mm x 9.5mm x 3.04m)
- DS863-50R** 1/4" thick x 1/2" wide x 50 ft. black (6.4mm x 12.7mm x 3.04m)
- DS864R** 5/16" thick x 3/8" wide x 10 ft. black (8mm x 9.5mm x 3.04m)
- DS865R** 5/16" thick x 3/4" wide x 10 ft. black (8mm x 19mm x 3.04m)
- DS866R** 3/8" thick x 3/8" wide x 10 ft. black (9.5mm x 9.5mm x 3.04m)
- DS868R** 1/2" thick x 1" wide x 10 ft. black (12.7mm x 25.4mm x 3.04m)

### PVC Closed Cell Soft Foam A/B Tapes

- DS847R** 3/8" thick x 3/8" wide x 16.5 ft. grey (9.5mm x 9.5mm x 5.02m)
- DS848R** 3/8" thick x 3/4" wide x 16.5 ft. grey (9.5mm x 19mm x 5.02m)

### XI Cell/Cross-Linked Polyurethane A/B Tapes

- DS852R** 1/8" thick x 3/8" wide x 16.5 ft. white (3.2mm x 9.5mm x 5.02m)

### Camper Truck Tape-Closed Cell Sponge Vinyl A/B Tape

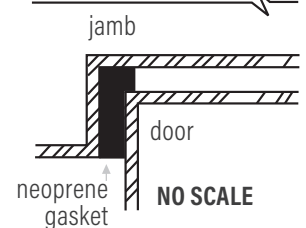
- DS885R** 3/16" thick x 1-1/4" wide x 30 ft. grey (4.7mm x 32mm x 9.14m)

## Bulk Rolls

### Neoprenes (Black)

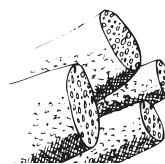
- DS61-50** 1/8" thick x 3/8" wide x 50 ft. BL (3.2mm x 9.5mm x 15.24m)
- DS67-50** 1/8" thick x 1/2" wide x 50 ft. BL (3.2mm x 12.7mm x 15.24m)
- DS74-25** 5/16" thick x 3/4" wide x 25 ft. BL (8mm x 19mm x 7.6m)
- DS76-12.5** 1/2" thick x 3/4" wide x 12.5 ft. BL (12.7mm x 19.5mm x 3.8m)
- DS78-50** 1/4" thick x 1" wide x 50 ft. BL (6.4mm x 25.4mm x 15.24m)
- DS79-12.5** 1/2" thick x 1" wide x 12.5 ft. BL (12.7mm x 25.4mm x 3.8m)

### OVERHEAD VIEW



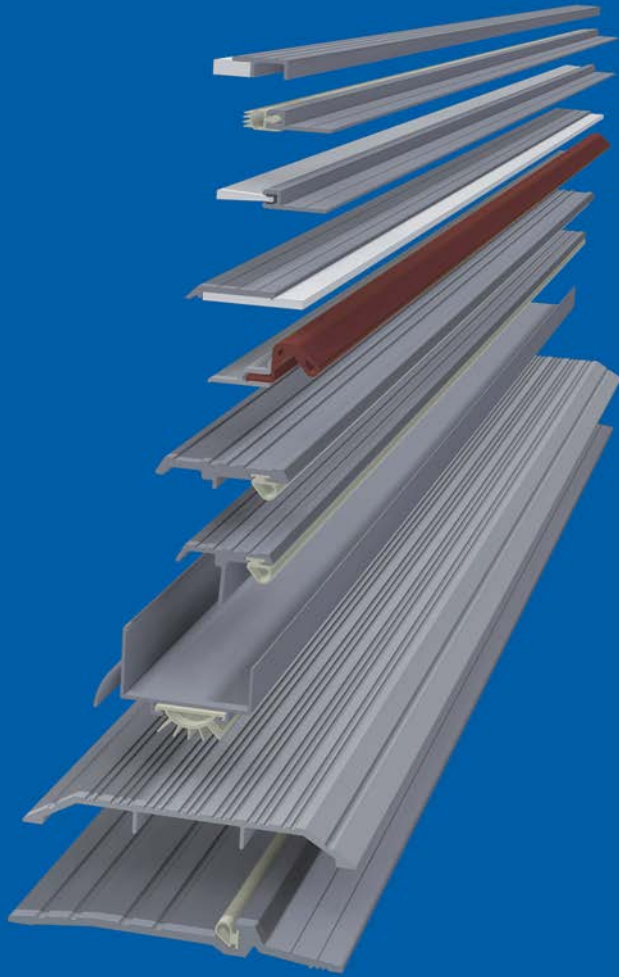
## Backer Rod

- DSROD1/4** 1/4" (6.3mm) diameter 4000 ft (1219m) per carton
- DSROD3/8** 3/8" (9.5 mm) diameter 2100 ft (640m) per carton
- DSROD1/2** 1/2" (12.7 mm) diameter 2500 ft (762m) per carton
- DSROD3/4** 3/4" (19mm) diameter 1100 ft (335m) per carton
- DSROD1** 1" (25.4mm) diameter 600 ft (182m) per carton

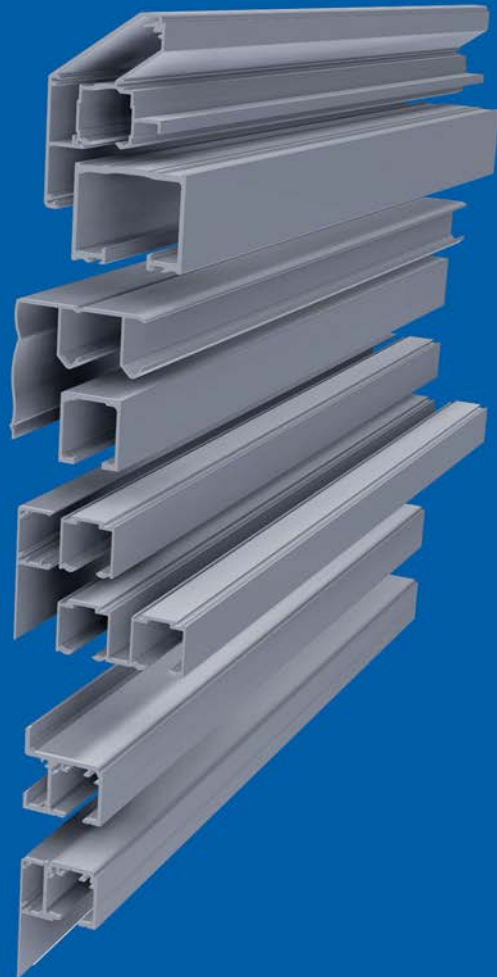


Sealant backer rod is an extruded round, grey, closed-cell low-density polyethylene foam with a skin-like outer texture. It is an ideal non-absorbent, compressible, back-up material inserted into a joint to control sealant tooling. Available in footage or bulk coils.

# DraftSeal®



# KrisTrack®



# DraftSeal®

NGP

---

## Head Office & Manufacturing Centre, Vancouver, Canada

Unit 100 - 4825 275th St, Langley, B.C. V4W 0C7 Canada

Phone: (604) 451-1080 • Fax: (604) 451-1140 • [www.draftseal.com](http://www.draftseal.com) • [info@draftsealkt.com](mailto:info@draftsealkt.com)

Outside Vancouver, B.C., please use our toll free numbers: Phone: 1-888-520-9009 Fax: 1-800-567-2887

## Branch Office & Manufacturing Centre, Toronto, Canada

Phone head office toll free 1-888-520-9009 for branch address